

Mayfield

SKU 1610WHT

EMBA TABLE LAMP



AVAILABILITY

Available

BASE

White Wood Timber

SHADE

Natural Linen

BULB TYPE

E27 40W Max

BULB

Not Included

VOLTAGE

220-240V

SWITCH

Cordline On/Off Switch

CUSTOMISABLE

Minimum order quantity required. Quantity subject to design.

DESCRIPTION

Timber Table Lamp in White Wood with a Natural Linen shade and Aged Bronze lamp holder.

The Emba Table Lamp celebrates the warmth and integrity of natural timber. Its solid timber base is shaped into a tall, tapered cone, creating a statuesque yet minimal silhouette.



DIMENSIONS [mm]

OVERALL

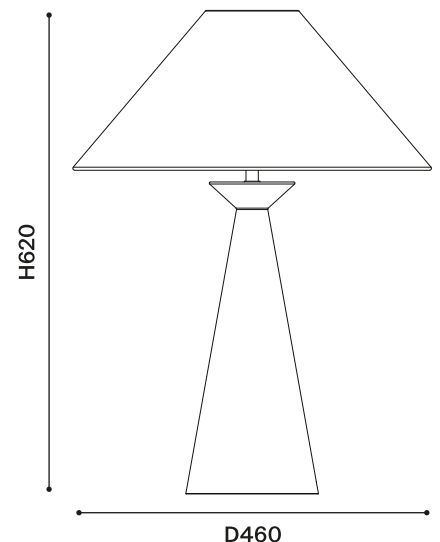
D460 x H620

BASE

D170 x H400

SHADE

BD460 x TD120 x H200



CARE

Before cleaning, light fittings must be turned off and unplugged from power source. For lamp shades, dust with a dry, soft cloth. For lamp bases, use a lightly damp and gently wipe marks until clean. Dry thoroughly before plugging back into power source.

WEIGHT
2.2kg

COMMERCIAL WARRANTY
12 Months

ASSEMBLY
Minimal Assembly Required

MAYFIELD LIGHTING®

LOCATE
36 Lakeview Drive,
Scoresby, VIC 3179

CONNECT
mayfieldlighting.com.au

ENQUIRE
sales@mayfieldlighting.com.au