

## Care Instructions

Ensure the longevity and appearance of your ELLISON STUDIOS. timber furniture with these care instructions:

- Use a soft, dry cloth regularly to prevent the build-up of dirt and grime.
- Clean with a damp cloth and mild soap solution, wiping in the direction of the wood grain. Avoid excessive water. Recommended products are available in the ELLISON STUDIOS. online store.
- Position furniture away from windows or use curtains to prevent fading and discoloration.
- Maintain a stable environment to avoid warping or cracking.
- Blot spills immediately with a clean, dry cloth. Consult specific care instructions for tougher stains.
- Use coasters, placemats, and felt pads to prevent damage from heat, spills, and scratches.
- Periodically polish with recommended products from the ELLISON STUDIOS. online store.
- Refrain from using abrasive cleaners or harsh chemicals.
- Regularly check and tighten hardware or joints, and ensure moving parts operate smoothly.

Following these simple steps and guidelines will help ensure the longevity of your ELLISON STUDIOS. product.

**ELLISON STUDIOS.**

# ELLISON STUDIOS.

## Product Care & Assembly Guide

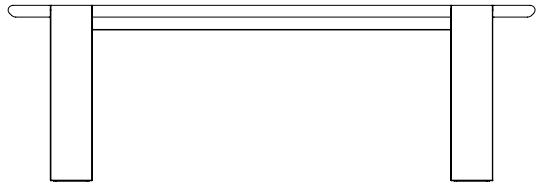
Congratulations on your purchase of your ELLISON STUDIOS. Liaison Dining Table. This document lists the contents included in your delivery.

Please take the time to read this document, as it includes important information about caring for your product as well as any assembly instructions that might be required. As you unpack your new item, place the contents on a carpeted or padded area to protect them from damage before placing the product in its final position.

### LIAISON DINING TABLE

#### Hardware

- |    |                  |     |
|----|------------------|-----|
| A. | M8x65mm Bolt     | x16 |
| B. | M8 Spring Washer | x20 |
| C. | M8 Washer        | x20 |
| D. | M8x50mm Bolt     | x4  |



#### Tools Required

Allen Key (Provided)

#### Assembly Guidance

2 Person Minimum | 30 Minute Assembly

#### Contact Us

For Australian warranty related queries please contact:

[customerservice@ellisonstudios.com](mailto:customerservice@ellisonstudios.com)

For any international customer service inquires please contact the retailer of purchase.

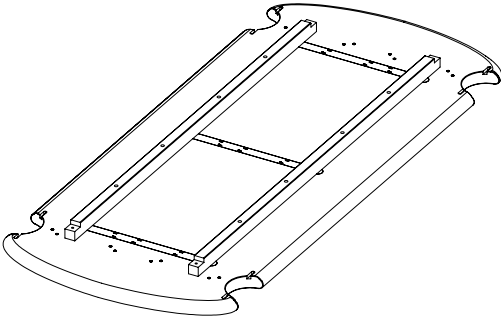
Ellison Studios Group Pty Ltd

---

# ELLISON STUDIOS.

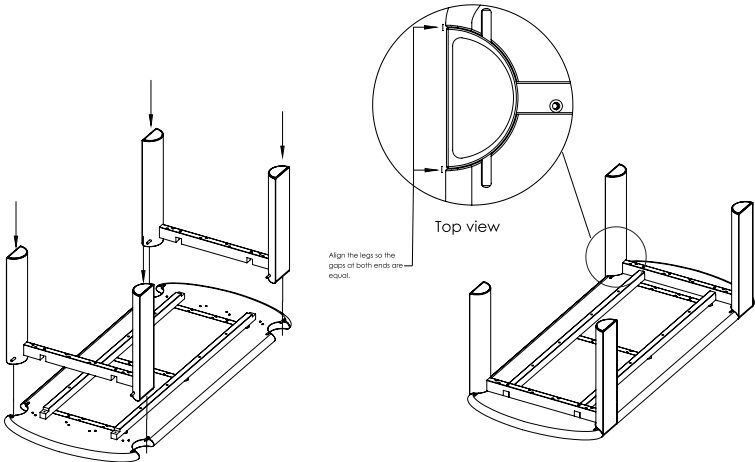
## Step 1

Position the tabletop close to its final location, face down as shown in the diagram. Ensure there is enough space to flip it over and that the tabletop is resting on a soft, non-abrasive surface to prevent damage.



## Step 2

Carefully lower the leg onto the tabletop, ensuring the legs are positioned evenly as shown in the diagram.

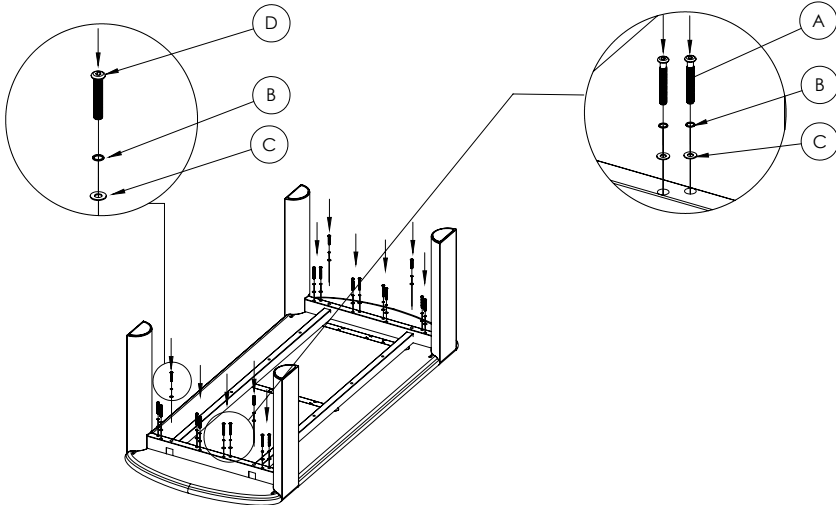


# ELLISON STUDIOS.

## Step 3

Fasten the leg assembly to the tabletop using 8× bolts (A) with 8× spring washers (B) and 8× flat washers (C). For fixings into the centre rail, use 2× bolts (D). Tighten all bolts to approximately 75% using the Allen key provided, ensuring the leg assembly remains aligned.

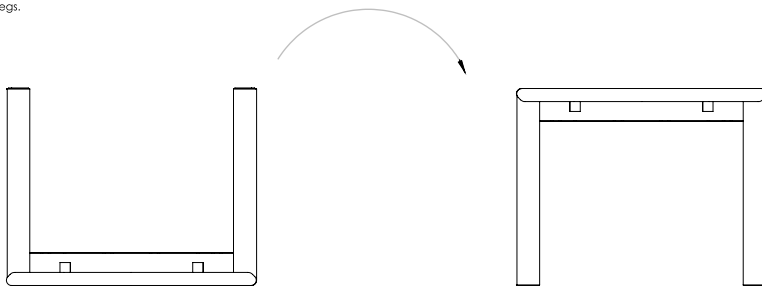
Repeat this step for the opposite leg assembly.



## Step 4

Using at least two people, carefully flip the table into the upright position. Always support the tabletop - do not flip the table by levering the legs.

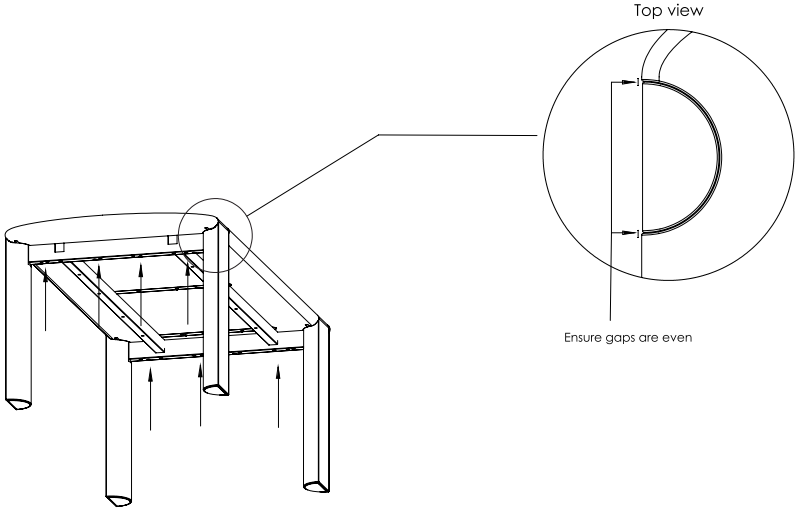
Note: Support the tabletop when flipping — do not lift the table by the legs.



# ELLISON STUDIOS.

## Step 5

Once the legs are aligned as shown, tighten all bolts fully (100%) to secure the legs to the tabletop.



Blank Page