

## Product Care & Assembly Guide

Congratulations on your purchase of your ELLISON STUDIOS. Poet Armless. This document lists the contents included in your delivery.

Please take the time to read this document, as it includes important information about caring for your product as well as any assembly instructions that might be required. As you unpack your new item, place the contents on a carpeted or padded area to protect them from damage before placing the product in its final position.

### POET ARMLESS

#### Hardware

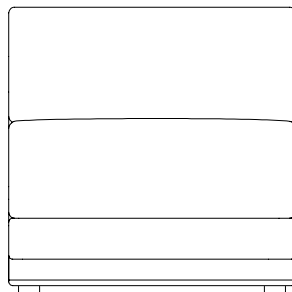
Alligator Clip (Pre-installed)

#### Tools Required

None

#### Assembly Guidance

2 Person Minimum | 10 Minute Assembly



#### Contact Us

For Australian warranty related queries please contact:

[customerservice@ellisonstudios.com](mailto:customerservice@ellisonstudios.com)

For any international customer service inquiries please contact the retailer of purchase.

Ellison Studios Group Pty Ltd

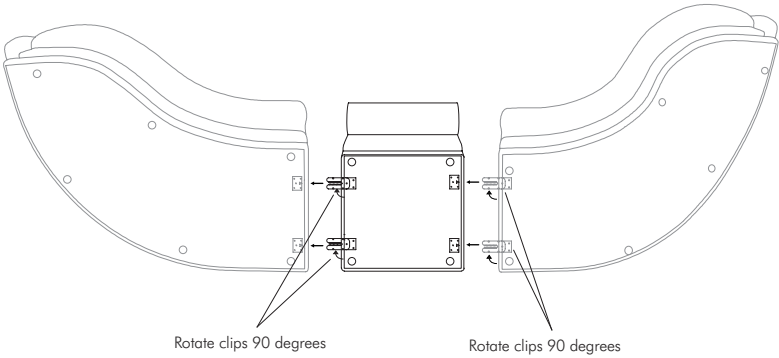
---

# ELLISON STUDIOS.

---

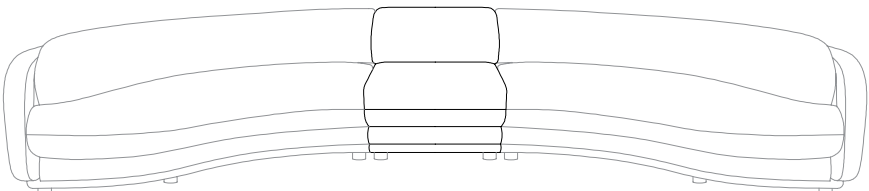
## Step 1

To connect the module pieces together to make a larger sofa, turn the preassembled alligator clip outwards and align the 'male' and 'female' connector pieces on the sides of the module and slide together.



## Step 2

Position in your room and don't forget to recycle the packaging where possible.



Blank Page

## Care Instructions

Ensure the longevity and appearance of your ELLISON STUDIOS. fabric upholstered furniture with these care instructions:

- Vacuum periodically with an upholstery attachment to remove dust and debris. Blot spills immediately with a clean, dry cloth. Follow specific care instructions for stubborn stains.
- Minimize exposure to direct sunlight to prevent fading and deterioration.
- Regularly rotate and fluff cushions to ensure even wear and maintain shape.
- Avoid placing sharp objects on or near the furniture to prevent snags and tears.
- Use protective felt pads under the legs to prevent scratches on floors.
- Do not use abrasive cleaners or harsh chemicals. Refer to specific care instructions for your fabric type.
- Consider professional cleaning services every 12-18 months.
- Use fabric protection sprays safe for your upholstery. Recommended products are available in the ELLISON STUDIOS. online store.

Following these simple steps and guidelines will help to ensure the longevity of your ELLISON STUDIOS. product.

**NIGHT PALM**  
*for*  
**ELLISON STUDIOS.**