

ELLISON STUDIOS.

Product Care & Assembly Guide

Congratulations on your purchase of your ELLISON STUDIOS. Bistro Dining Table. This document lists the contents included in your delivery.

Please take the time to read this document, as it includes important information about caring for your product as well as any assembly instructions that might be required. As you unpack your new item, place the contents on a carpeted or padded area to protect them from damage before placing the product in its final position.

BISTRO DINING TABLE

Hardware

17 x 5/16x 30mm Bolt Screws

17 x size 14 Washer

17 x Spring Washer

4 x Ø8x30 Wooden dowel

Tools Required

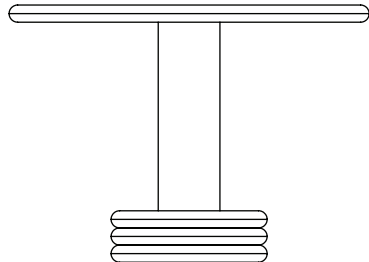
Allen Key

People Required

2 People

Estimated Time of Assembly

30 Minutes



Contact Us

For Australian warranty related queries please contact:

customerservice@ellisonstudios.com

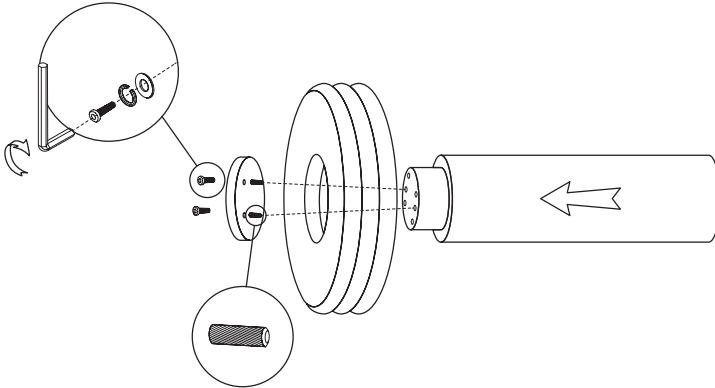
For any international customer service inquires please contact the retailer of purchase.

Ellison Studios Group Pty Ltd

ELLISON STUDIOS.

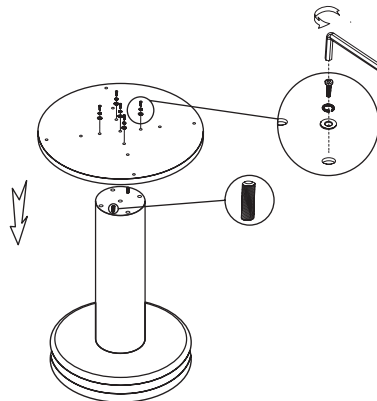
Step 1

Place the table pillar and stone base horizontally on a soft mat or carpet. Insert the table pillar into the circular hole of the stone base (2 people are recommended). The table pillar is secured to the stone base with a joint plate. Insert the wooden dowels to match hole location on table pillar and joint plate. Once all dowels are in position, insert the bolts and washers as shown. Carefully fasten the bolts using the allen key.



Step 2

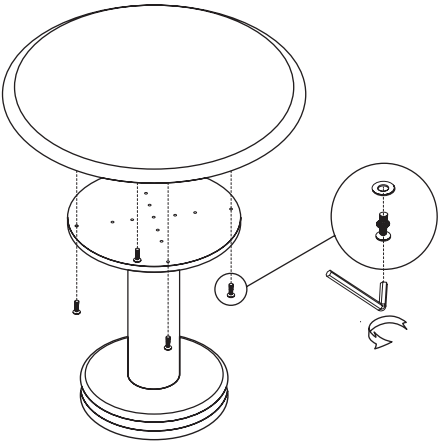
Carefully turn the table base over to the upright position (2 people are recommended). The table leg connects to the joint plate at the top of the leg. Insert the wooden dowels and align the hole locations on table legs and plate. Once in position, insert the bolts and washers as shown. Carefully fasten the bolts using the allen key.



ELLISON STUDIOS.

Step 3

Carefully place the table top on the table plate and align the hole locations on table top and plate. Once in position, insert the bolts and washers from underneath as shown. Carefully fasten the bolts using the allen key.



Care Instructions

Ensure the longevity and appearance of your ELLISON STUDIOS. timber veneered and solid timber furniture with these care instructions:

Regular Dusting: Use a soft, dry cloth regularly to prevent the build-up of dirt and grime.

Cleaning: Clean with a damp cloth and mild soap solution, wiping in the direction of the wood grain. Avoid excessive water. Recommended products are available in the ELLISON STUDIOS. online store.

Avoid Direct Sunlight: Position furniture away from windows or use curtains to prevent fading and discoloration.

Temperature and Humidity: Maintain a stable environment to avoid warping or cracking.

Spills and Stains: Blot spills immediately with a clean, dry cloth. Consult specific care instructions for tougher stains.

Protective Measures: Use coasters, placemats, and felt pads to prevent damage from heat, spills, and scratches.

Polishing: Periodically polish with recommended products from the ELLISON STUDIOS. online store.

Avoid Harsh Chemicals: Refrain from using abrasive cleaners or harsh chemicals.

Maintenance: Regularly check and tighten hardware or joints, and ensure moving parts operate smoothly.

Following these simple steps and guidelines will help to ensure the longevity of your ELLISON STUDIOS. product.

ELLISON STUDIOS.