

# ELLISON STUDIOS.

## Product Care & Assembly Guide

Congratulations on your purchase of your ELLISON STUDIOS. Fin Dresser. This document lists the contents included in your delivery.

Please take the time to read this document, as it includes important information about caring for your product as well as any assembly instructions that might be required. As you unpack your new item, place the contents on a carpeted or padded area to protect them from damage before placing the product in its final position.

### FIN DRESSER

#### Hardware

2 x Anti-tip Cables  
2 x Washers  
2 x M4x12mm screws

#### Tools Required

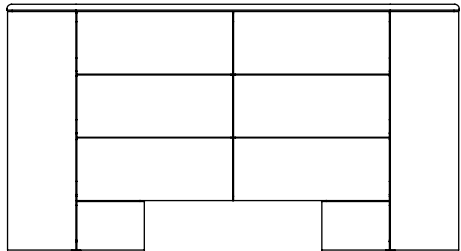
Power drill (not supplied)  
Screwdriver (not supplied)  
Measuring Tape (not supplied)

#### People Required

2 People

#### Estimated Time of Assembly

15 Minutes



#### Contact Us

For Australian warranty related queries please contact:

[customerservice@ellisonstudios.com](mailto:customerservice@ellisonstudios.com)

For any international customer service inquires please contact the retailer of purchase.

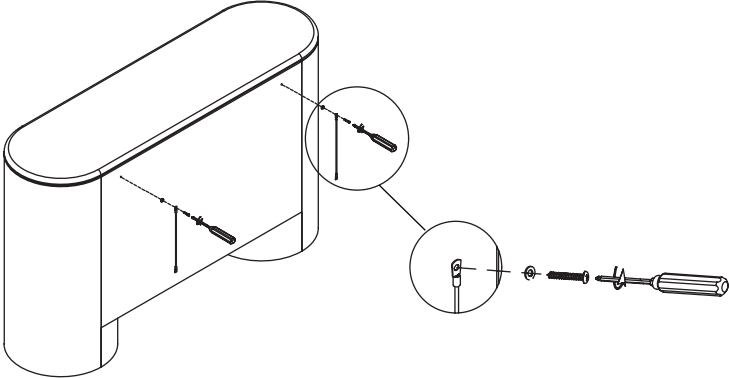
Ellison Studios Group Pty Ltd

---

# ELLISON STUDIOS.

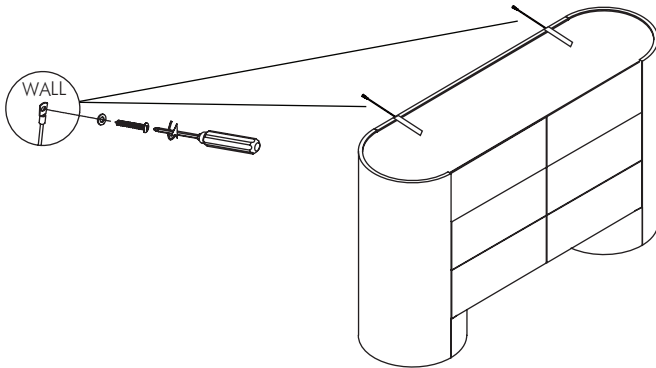
## Step 1

Open the boxes carefully, ensuring the blade of the knife does not come into contact with the product. With the help of a second person, lift the drawer unit from the carton. We strongly recommend that you install the provided anti-tip kit to prevent the dresser from accidentally falling and causing injury or damage. With a screw driver, secure the anti-tip kit to the console by screwing the M4x12mm screws and washers into the pre-drilled pilot holes on the rear of the dresser.



## Step 2

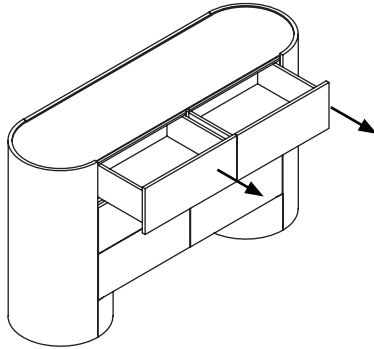
Position the dresser in place, sitting 6-8 inches out from the wall and mark on the wall where the anti-tip cables should be attached. Drill a hole into the wall to suit the appropriate fixings for your wall type. A pilot hole is recommended to be drilled for installation. Fasten the anti-tip cables to the wall using washers and appropriate fixings for your wall type. Move your dresser back in place against the wall.



# ELLISON STUDIOS.

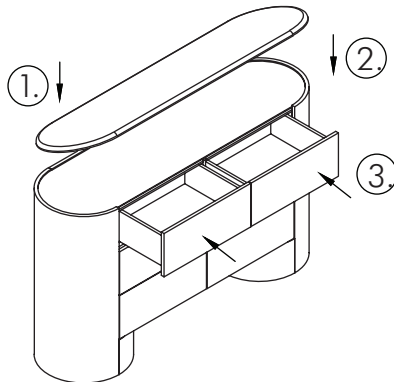
## Step 3

We recommend placing your dresser in position within your room before attaching the stone top as both components are heavy and the unit is difficult to move once assembled. Once the drawer unit is in place, open the top two drawers by pushing on the drawer fronts.



## Step 4

With the help of a second person, lift the marble top from its carton. Gently lower the marble along the back edge of the unit only, and rest the piece on the units top face, against the inside edge of the lip. Keeping both hands along the front edge of the marble, gently lower the piece until it sits flush on the unit top. Close the top two drawers.



## Care Instructions

Ensure the longevity and appearance of your ELLISON STUDIOS. timber veneered and solid timber furniture with these care instructions:

**Regular Dusting:** Use a soft, dry cloth regularly to prevent the build-up of dirt and grime.

**Cleaning:** Clean with a damp cloth and mild soap solution, wiping in the direction of the wood grain. Avoid excessive water. Recommended products are available in the ELLISON STUDIOS online store.

**Avoid Direct Sunlight:** Position furniture away from windows or use curtains to prevent fading and discoloration.

**Temperature and Humidity:** Maintain a stable environment to avoid warping or cracking.

**Spills and Stains:** Blot spills immediately with a clean, dry cloth. Consult specific care instructions for tougher stains.

**Protective Measures:** Use coasters, placemats, and felt pads to prevent damage from heat, spills, and scratches.

**Polishing:** Periodically polish with recommended products from the ELLISON STUDIOS online store.

**Avoid Harsh Chemicals:** Refrain from using abrasive cleaners or harsh chemicals.

**Maintenance:** Regularly check and tighten hardware or joints, and ensure moving parts operate smoothly.

Following these simple steps and guidelines will help to ensure the longevity of your ELLISON STUDIOS. product.

# ELLISON STUDIOS.