

safety first

What about safety? Can I attach my locker to the wall?

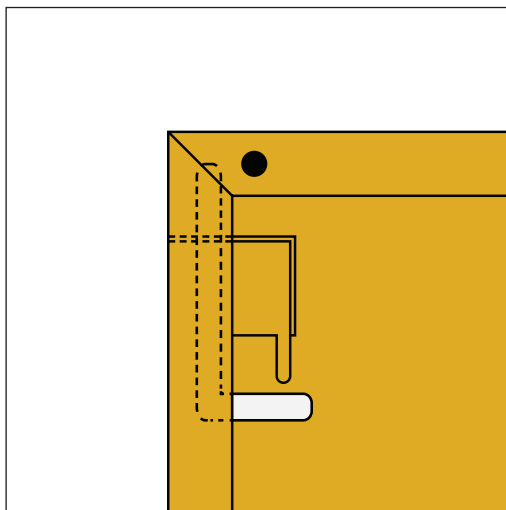
Safety first! Mustard lockers are nice and sturdy, but serious or fatal injury can occur from your locker tipping. To reduce the risk of tipping, we strongly recommend securing your locker to the wall. All Mustard lockers are equipped with slots in the back to enable you to do so.

Please ensure you use the correct fixings for your wall. These are not provided, so please consult a qualified tradesperson if you require advice.

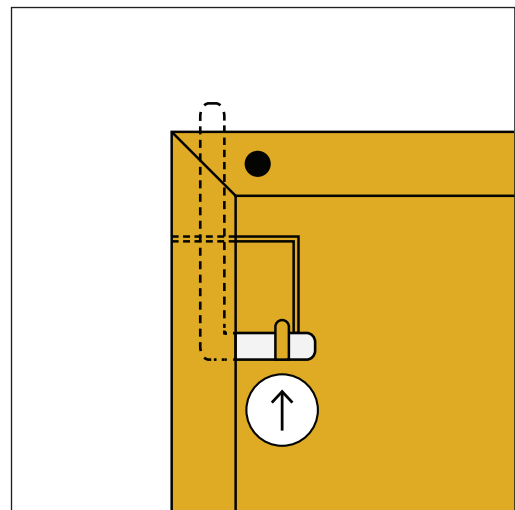
Here are some other handy hints to help avoid accidents:

- Never sit, stand or climb on your locker
- Keep doors closed when not in use
- Avoid placing anything heavy on top of your locker
- Keep heaviest items on the bottom shelves
- At the top of the door, make sure to bend up the little tab to hold the L-shape bracket in place and that will hold the door in place (see diagrams below)

secure the locker door (so it doesn't fall off!)

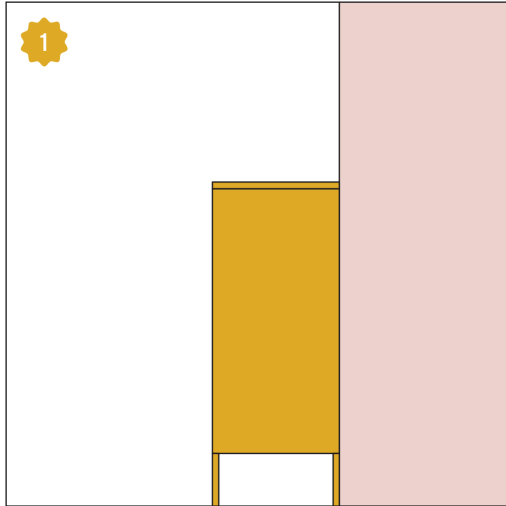


At the top of the door, insert the L shape post up into position through the holes.



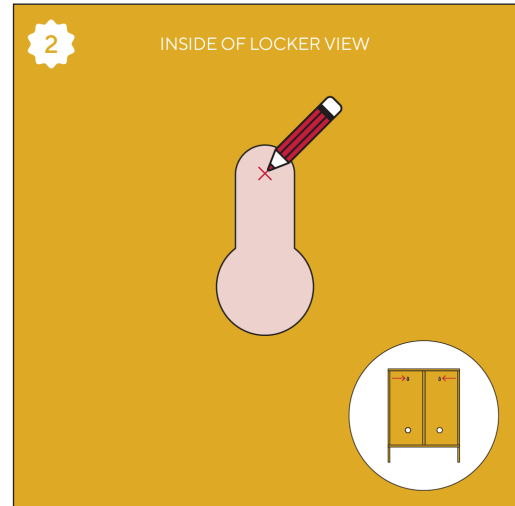
⬆ Push the tab up!
This holds the door in place.

how to secure your locker to the wall (with no skirting boards)



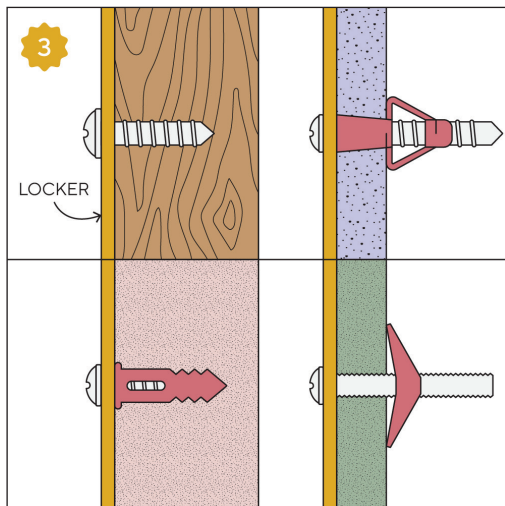
Step 1

Stand your locker flush against the wall in your chosen spot.



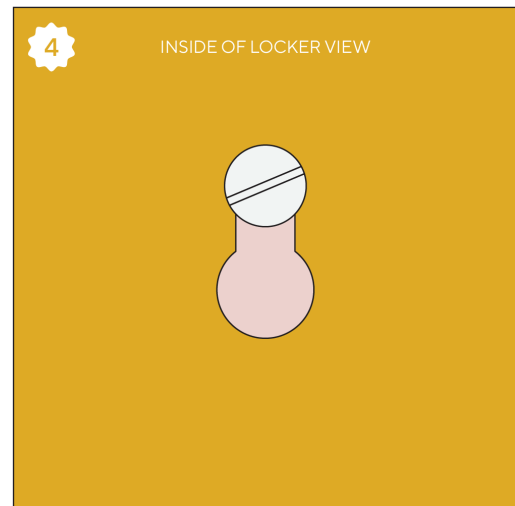
Step 2

From inside your locker, mark the wall at the top of the slots.



Step 3

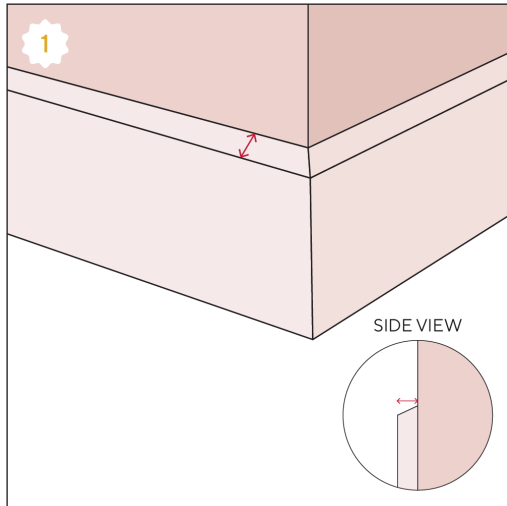
Select the appropriate fixing type for your wall. If you need help, consult a qualified tradesperson for advice.



Step 4

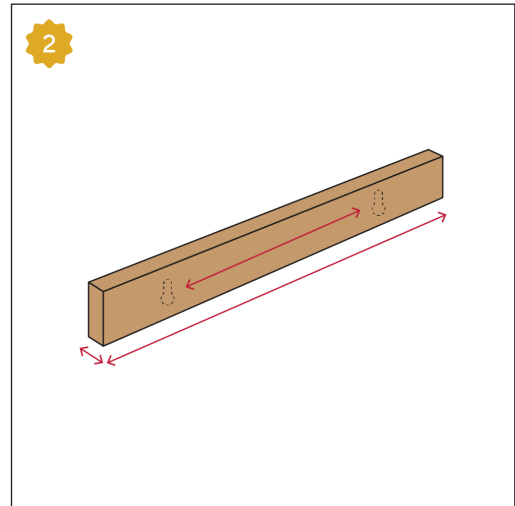
Screw your fixings through the slots. Ta-da! Give yourself a high five.

how to secure your locker to the wall (with skirting boards)



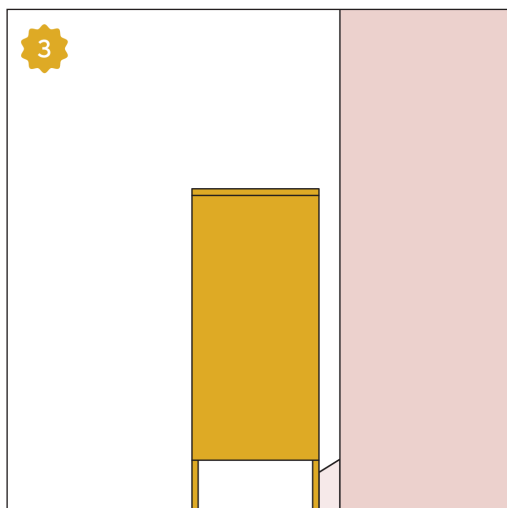
Step 1

Measure the depth of your skirting.



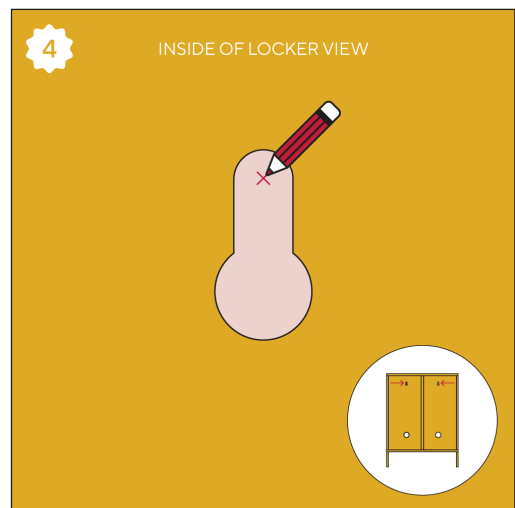
Step 2

Source a piece of timber the same depth as your skirting and wider than the distance between the two slots on your locker.



Step 3

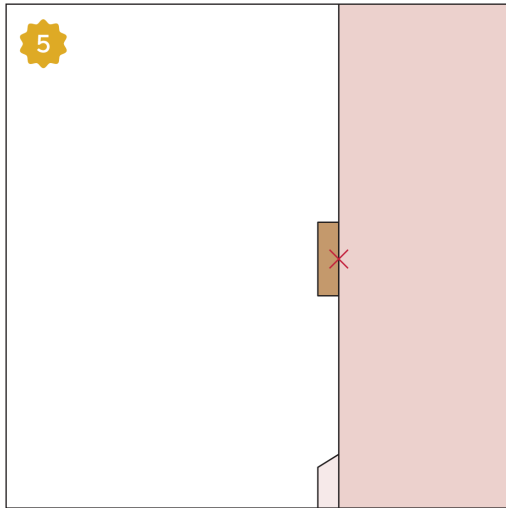
Stand your locker flush against the skirting in your chosen spot.



Step 4

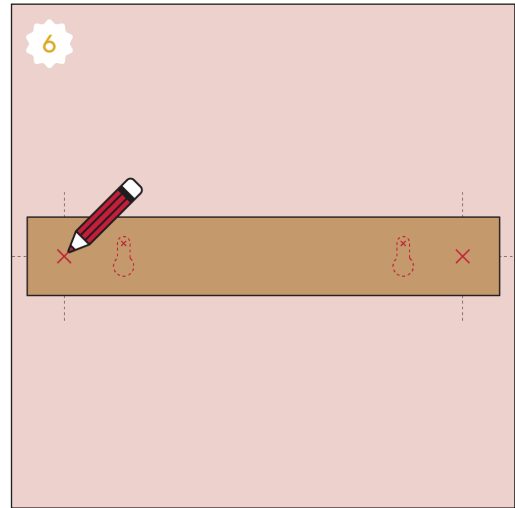
From inside your locker, mark the wall at the top of the slots.

how to secure your locker to the wall (with skirting boards)



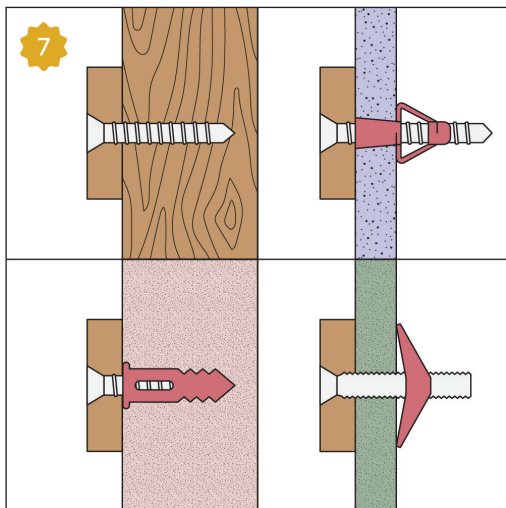
Step 5

Place the timber against your wall, covering the marks.



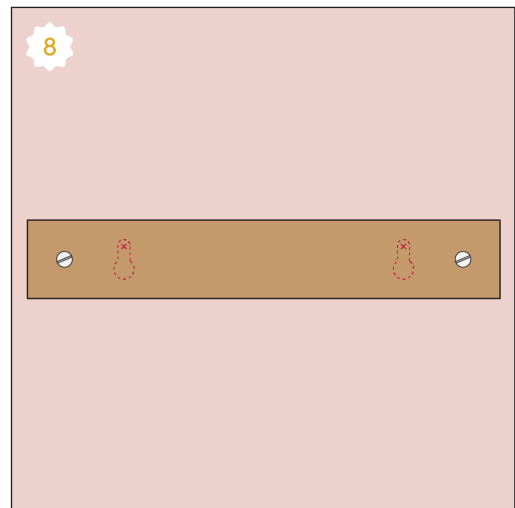
Step 6

Mark the best position for the screws to attach the timber to the wall. You may want to align these to your wall studs.



Step 7

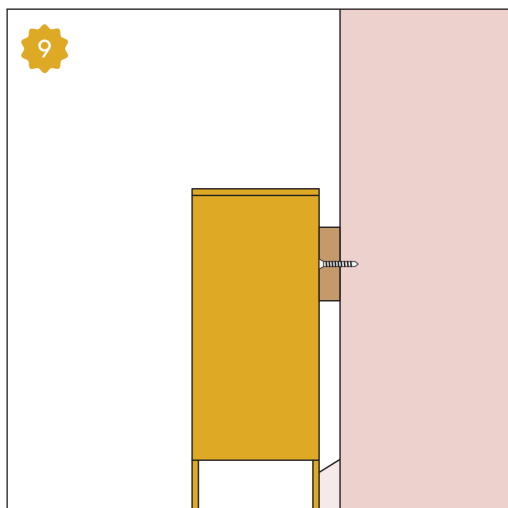
Select the appropriate fixing type for your wall. If you need help, consult a qualified tradesperson for advice.



Step 8

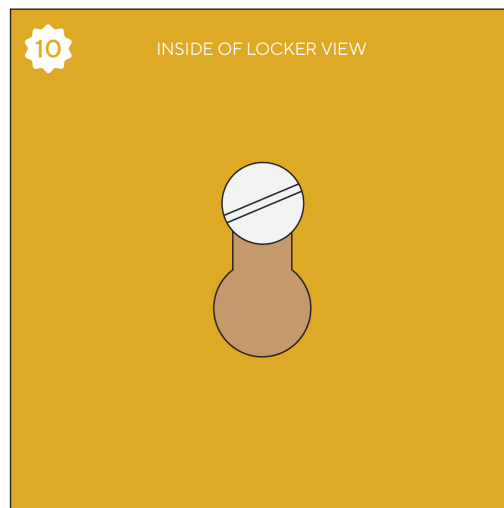
Use these fixings to attach the timber to the wall.

how to secure your locker to the wall (with skirting boards)



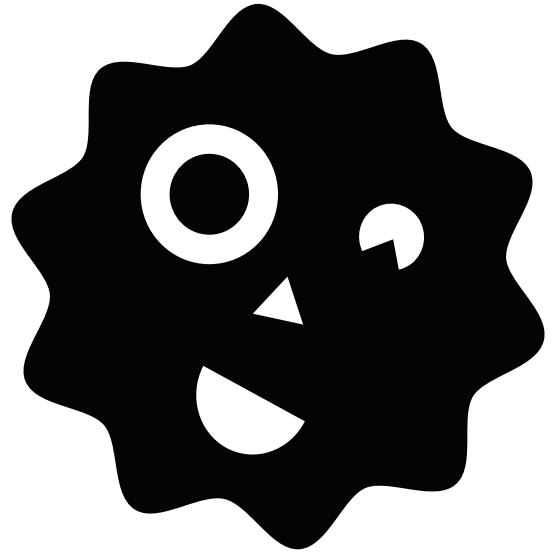
Step 9

Place your locker flush against the timber in your chosen spot.



Step 10

Screw your fixings through the slots into the timber. Ta-da! Give yourself a high five.



you got this!



Watch our helpful how-to videos where
we take you through the build step by step.
Need help? help@mustardmade.com

Love your locker? Share it!
[@mustardmade](#) [#mustardmade](#)



How to build The Kit

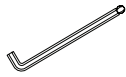
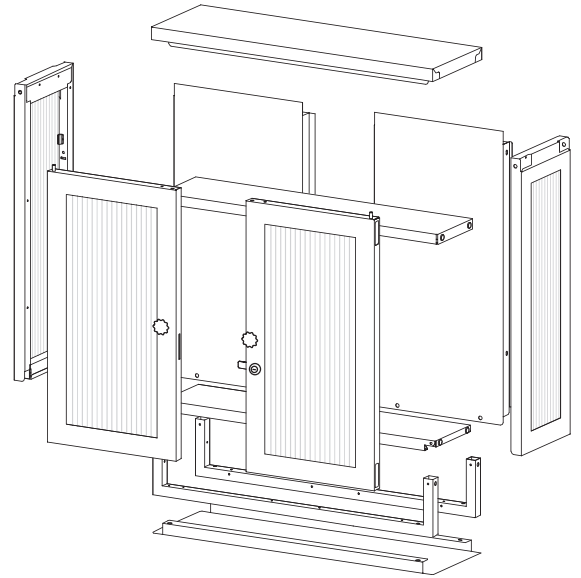
Your glass locker is ready to shine! We're here to take you through the build step by step. You'll be admiring your beautiful new Kit very soon, so get ready, let's do this!



Watch our helpful how-to videos where we take you through the build step by step.



Learn more about securely attaching the product to the wall using the correct fittings (not provided).



1 x hex key



18 x hex screws



2 x bolt screws



2 x handle screws



4 x shelf brackets



1 x door bolt



2 x handles



1 x set of keys



1 x keyring



2 x posts



2 x large washers



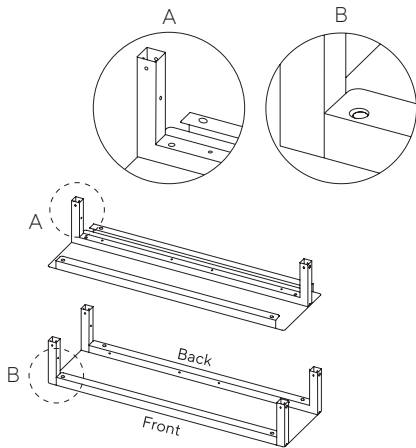
2 x small washers

1

Slot one U bar under the back edge of the bottom panel.

Slot the other U bar under the front edge.

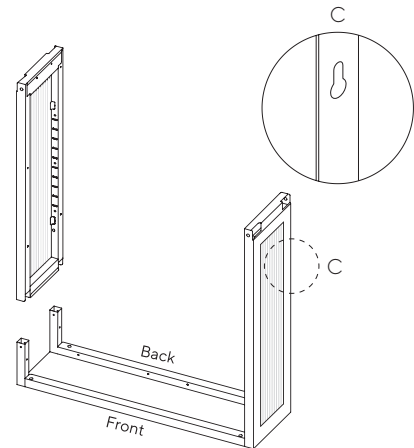
Make sure the holes align at the front.



2

Slide the side panels down onto the U bar.

Make sure the keyhole slots are at the back.

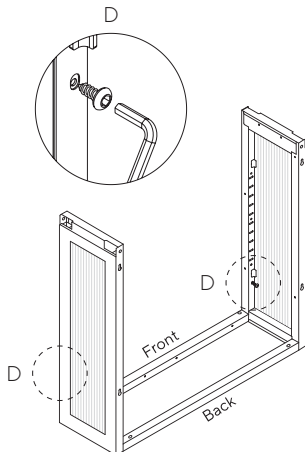


3

Grab your hex key!

Screw through the holes inside the side panels.

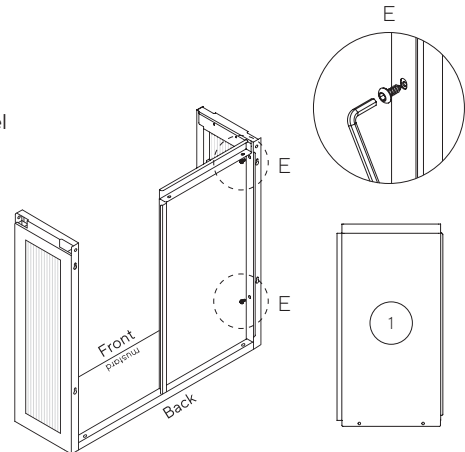
2 x



4

Put back panel 1 in place first + screw it in at the back.

2 x

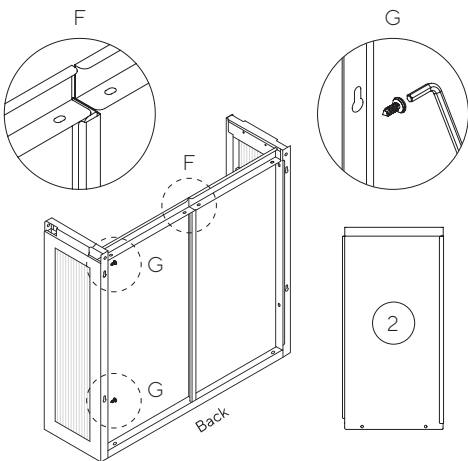


5

Put back panel 2 in place, this will hook inside panel 1.

Screw it in at the back.

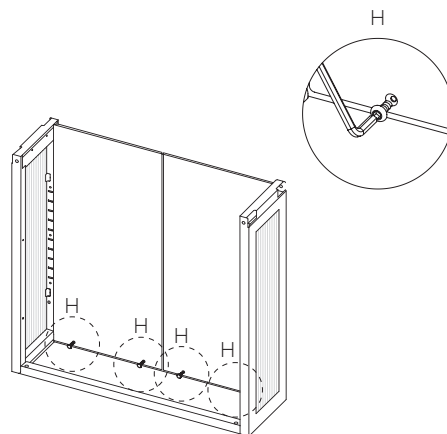
2 x 



6

Screw the back panels in from the inside.

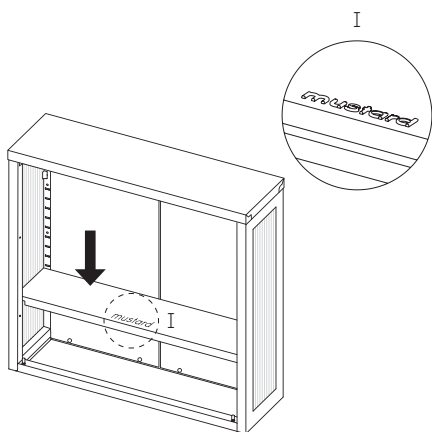
4 x 



7

Add the base, starting at the back.

The 'Mustard' logo goes at the front.

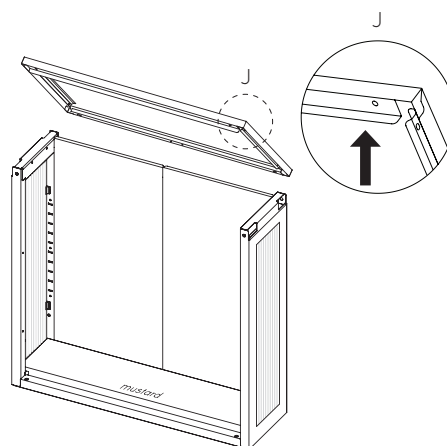


8

Place the top panel on, starting at the back.

The lip goes at the front.

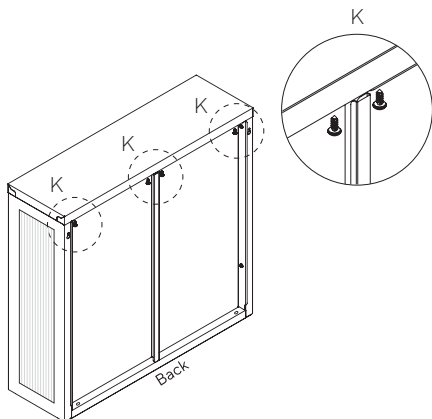
Check that the sides + back panels are slotted in correctly. Push the top panel in place.



9

Screw the back panels to the top from the back.

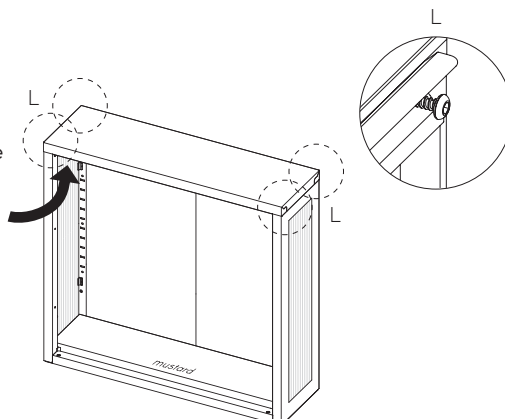
4 x 



10

Screw both panels to the top from the inside.

4 x 




11

Now it's time to attach the locker to the wall.

Use the helpful wall template to decide where you want your cabinet.

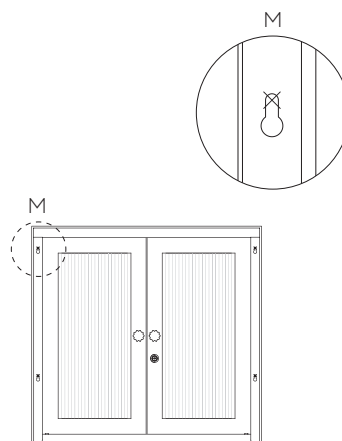


12

 **Grab your drill!**

Attach your screws at the top of the keyholes marked on the template.

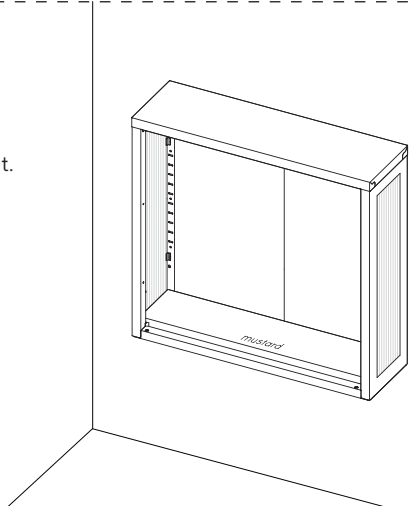
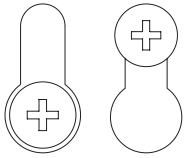
Please ensure you use the correct fixings for your wall. These are not provided, so please consult a qualified tradesperson if you need advice.



13

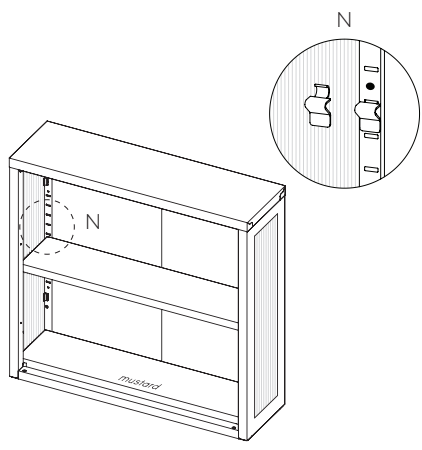
You will need an extra pair of hands for this bit.

Carefully lift the cabinet and slot the holes over the screw heads.



14

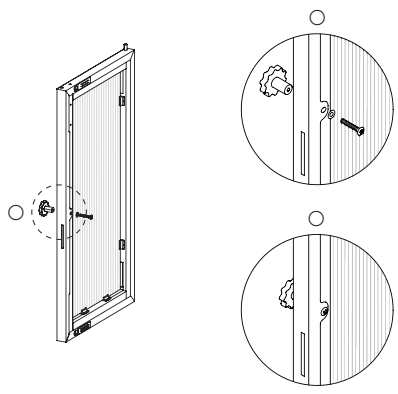
Once your locker is attached to the wall, add the brackets + place the shelf on top.



15

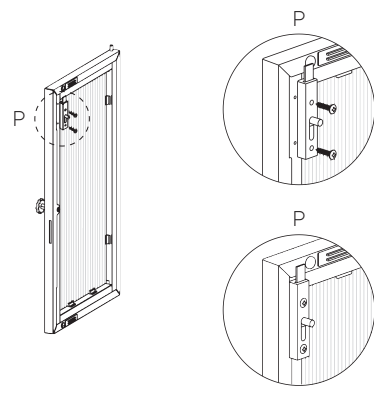
Grab your screwdriver!

Use your screwdriver to attach the handles, using the long handle screws + small washers



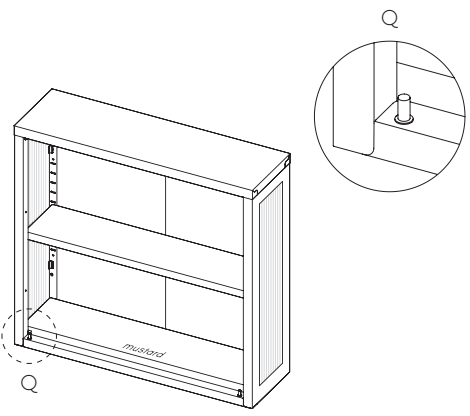
16

Use your screwdriver to attach the door bolt using the two bolt screws. The door bolt goes on the left door.



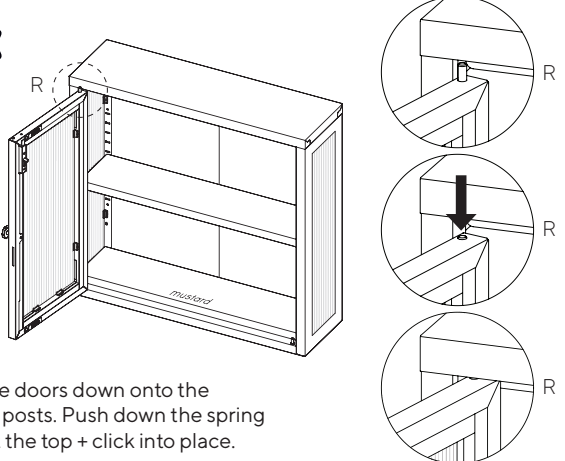
17

Insert the post + large washer into the hole in the U bar.



18

Slide the doors down onto the bottom posts. Push down the spring posts at the top + click into place.



19

Yippee!
That's the whole Kit + caboodle, high five!



P.S pop the spare key in a safe spot just in case!

