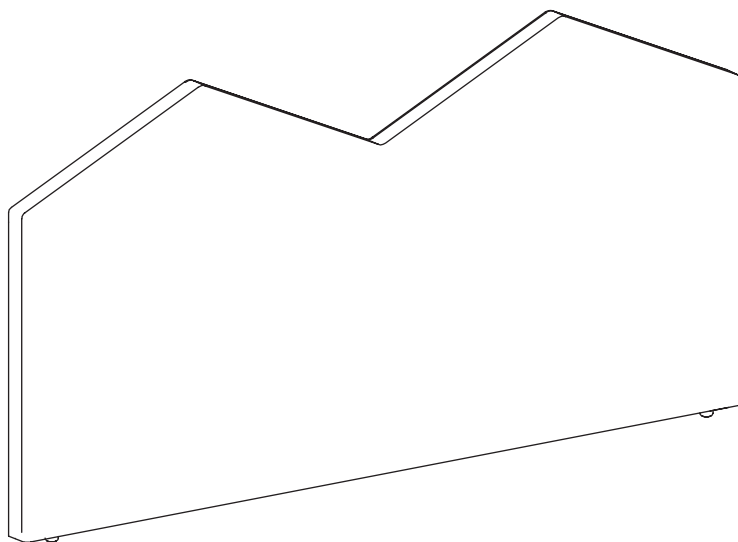


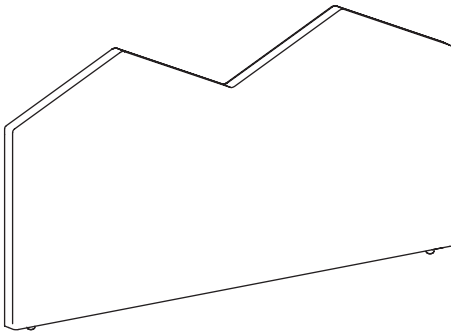
RACHEL DONATH



DUPONT BEDHEAD

DUPONT BEDHEAD

Thank you for purchasing the Rachel Donath Dupont Bedhead. This guide outlines the items you'll find in your delivery. It's essential to inspect the hardware and each component of the product carefully as you unbox and get ready for assembly. To prevent any damage, make sure to place the items on a carpeted or padded surface while unpacking.



HARDWARE

None

TOOLS REQUIRED

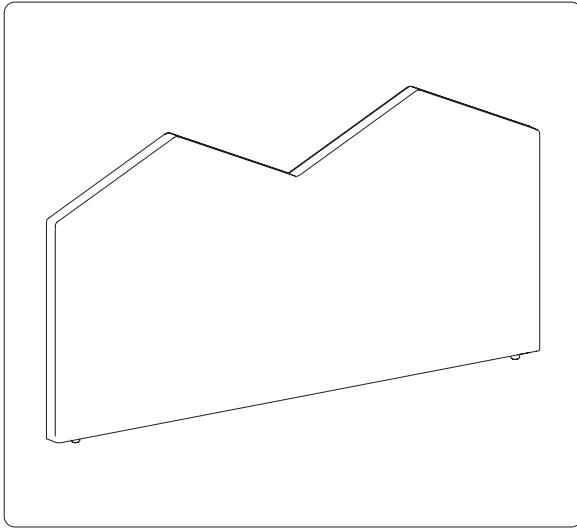
None

PEOPLE REQUIRED FOR ASSEMBLY

2 Persons

ESTIMATED TIME OF ASSEMBLY

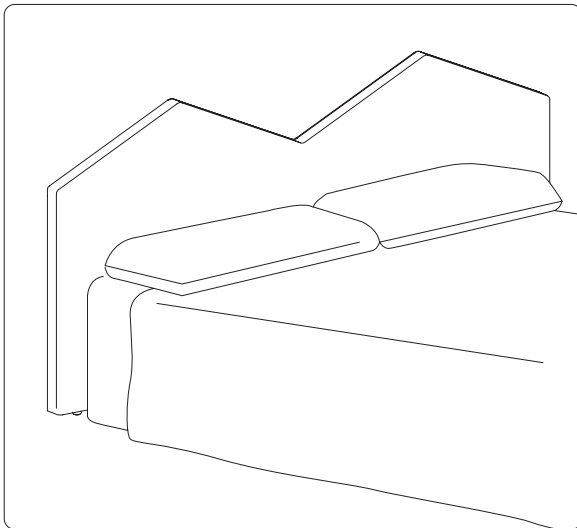
15 Minutes



STEP 1:

Open the boxes carefully, ensuring the blade of the knife does not come into contact with the product. Remove packaging and lift the product up out of box.

With clean hands, position the bedhead in place in your room.



STEP 2:

Push your bed base centred against the bedhead, and don't forget to recycle the packaging where possible

CARE INSTRUCTIONS

Maintaining your upholstery requires specific care techniques. Rotate cushions and pillows on a weekly basis to evenly distribute wear and preserve the fabric's integrity. Utilize the upholstery attachment and crevice tool of your vacuum during weekly cleaning sessions to effectively eliminate loose particles.

For a comprehensive cleaning approach, rely on professional upholstery cleaning services periodically—this is the recommended method for ensuring the longevity of your upholstery. It is advisable to schedule an annual cleaning, although individual needs may vary based on usage.

Prevent potential ink bleeding by refraining from leaving newspapers or printed materials on the upholstery. Exercise caution when using household chemicals and commercial products in proximity to the upholstery.

Protect your furniture from direct sunlight, as exposure can lead to fading over time. Refrain from applying noncommercial scented fabric fresheners, neutralizers, and fabric protectors, as these are not recommended for optimal linen care. Adhering to these guidelines ensures your upholstery maintains its quality.

CUSTOMER SERVICE

For Australian customer service contact :
info@racheldonath.com

RACHEL DONATH