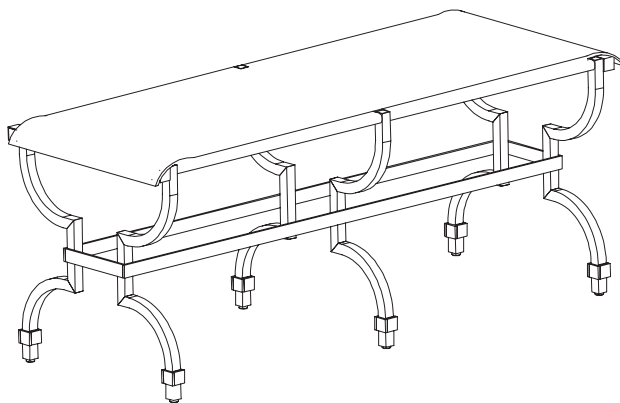


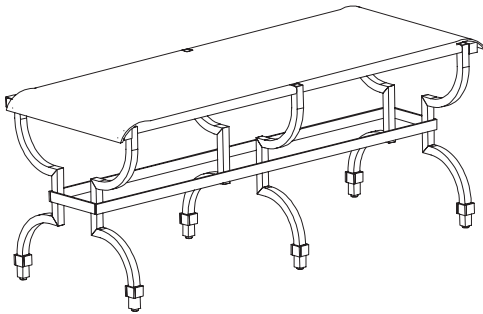
# RACHEL DONATH



## TAUTOU BENCH

# TAUTOU BENCH

Thank you for purchasing the Rachel Donath Tautou Bench. This guide outlines the items you'll find in your delivery. It's essential to inspect the hardware and each component of the product carefully as you unbox and get ready for assembly. To prevent any damage, make sure to place the items on a carpeted or padded surface while unpacking.



## HARDWARE

None

## TOOLS REQUIRED

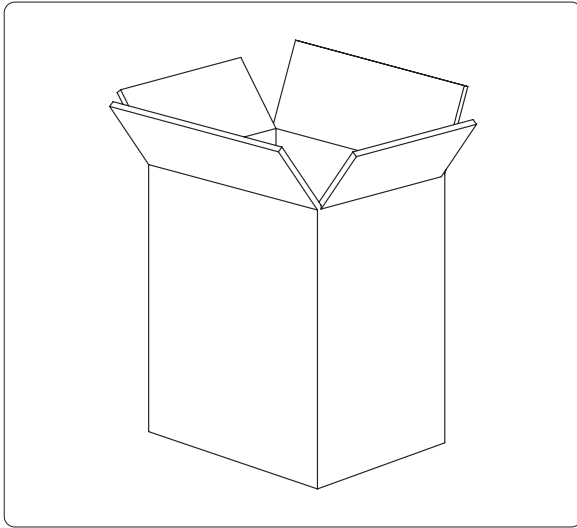
None

## PEOPLE REQUIRED FOR ASSEMBLY

2 People

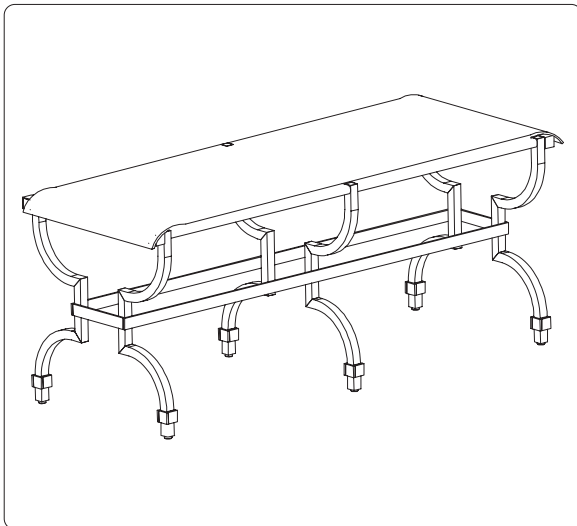
## ESTIMATED TIME OF ASSEMBLY

15 Minutes



**STEP 1:**

Open box carefully, ensuring the blade of the knife does not come into contact with the product. With someone to help you, remove packaging and lift the product up out of box and gently place on ground.



**STEP 2:**

Position in your room, and don't forget to recycle the packaging where possible.

## CARE INSTRUCTIONS

Taking a little extra care can significantly extend the lifespan of your furniture. The information below serves as a general guideline, and is to be used for optimal durability of your Rachel Donath furniture.

1. Placement Considerations: Be mindful of where you position your furniture. Extreme conditions, such as prolonged exposure to harsh sunlight, can alter the finish's colour. In coastal regions, furniture should be wiped and rinsed frequently to remove salt deposits that can damage the finish.

2. Metal Care: Although resistant to rust, powdercoated metals will oxidize if the coating is chipped, scratched or exposed to harsh chemicals and UV rays over time. Do not use harsh solvent-based, abrasive or stainless steel cleaners. These will accelerate staining, fading and ultimate failure of the powdercoated finish. We recommend using a mild soap product. Do not place extremely cold or hot objects on to the surface and use coasters.

3. Leather Care: Regularly wipe with a dry cloth to eliminate lingering dust and the accumulation of dirt. In case of spills, promptly blot liquids with an absorbent cloth, as prolonged contact may lead to absorption. For butter, oil, or grease spills, use a clean, dry cloth to wipe them away, allowing the leather to naturally absorb any remaining residue. Persistent stains can be addressed by lightly dampening a cloth with warm water and blotting the affected area. If needed, a mixture of mild soap and water can be applied, followed by blotting with a dry cloth—avoid scrubbing. Refrain from using harsh cleaners or solvents, as they can potentially damage the leather's finish.

By following these instructions, you can ensure the longevity and beauty of your Rachel Donath furniture.

## CUSTOMER SERVICE

For Australian customer service contact :  
[info@racheldonath.com](mailto:info@racheldonath.com)