

# SARAH ELLISON.



## EARTH OUTDOOR

### Assembly

3-4 Person Assembly Required.

### Warranty

We offer a 2 year Outdoor product warranty against defects. This does not cover general wear and tear, or accidental breakage post-delivery.

### Construction

Ground Stone & Sand Composite, Cement and Natural Fibers

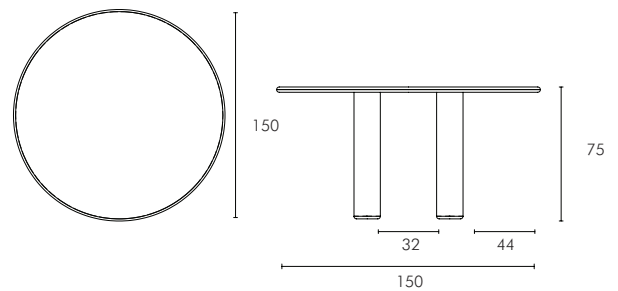
### Dining Table Dimensions W x D x H (cm)

Overall: 150 x 150 x 75 cm  
Weight: 138 kg

Number of Cartons : 2  
Carton Content: Top , Legs

Carton 1: 162 x 162 x 13cm | 115kg  
Carton 2: 51 x 26 x 88cm | 12kg

*Due to weight of this dining table the table must be assembled in its final location as moving fully assembled may damage the table*

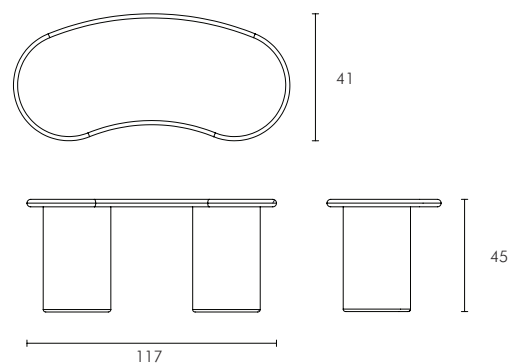


### Bench Dimensions W x D x H (cm)

Overall: 117 x 41 x 45cm  
Weight: 65.2 kg

Number of Cartons : 2  
Carton Content: Top , Legs

Carton 1: 125 x 23 x 14cm | 40kg  
Carton 2: 38 x 38 x 53cm | 18kg



Please note all dimensions are approximate.

# SARAH ELLISON.

## EARTH OUTDOOR

---

### Coffee Table Dimensions W x D x H (cm)

Overall: 100 x 100 x 37cm

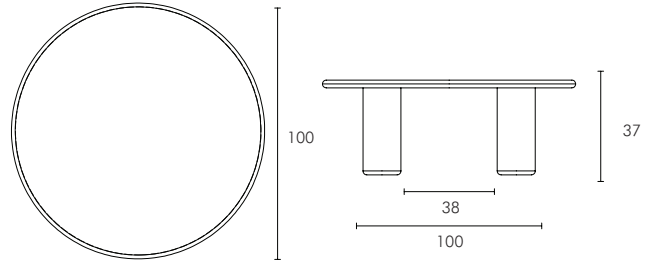
Weight: 57.8 kg

Number of Cartons : 2

Carton Content: Top , Legs

Carton 1: 108 x 108 x 13cm | 45kg

Carton 2: 51 x 26 x 51cm | 8kg



### Side Table Dimensions W x D x H (cm)

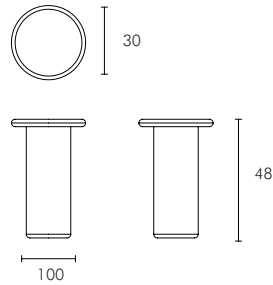
Overall: 30 x 30 x 48cm

Weight: 16 kg

Number of Cartons : 1

Carton Content: Side Table

Carton 1: 41 x 41 x 61cm | 18kg



Please note all dimensions are approximate.

---