

SARAH ELLISON.

CHUB COFEE TABLE ASSEMBLY INSTRUCTIONS

Thank you for purchasing the Sarah Ellison Chub Coffee Table. This document lists the contents included in your delivery. Please take the time to identify the hardware, as well as the individual components of this product. As you unpack and prepare for assembly, place the contents on a carpeted or padded area to protect them from damage.

HARDWARE

None

TOOLS REQUIRED

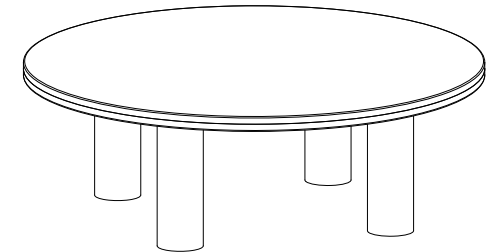
None

PEOPLE REQUIRED FOR ASSEMBLY

2 Person

ESTIMATED TIME OF ASSEMBLY

15 minutes



CUSTOMER SERVICE

For Australian customer service contact : info@sarahellison.com.au

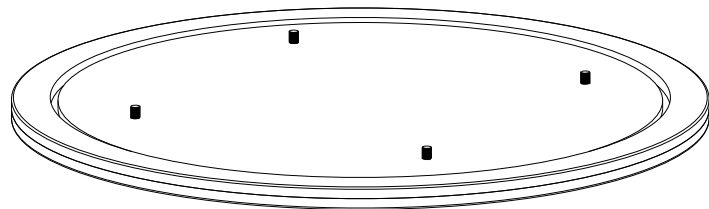
For any international customer service inquires please contact the retailer of purchase

S E.

SARAH ELLISON.

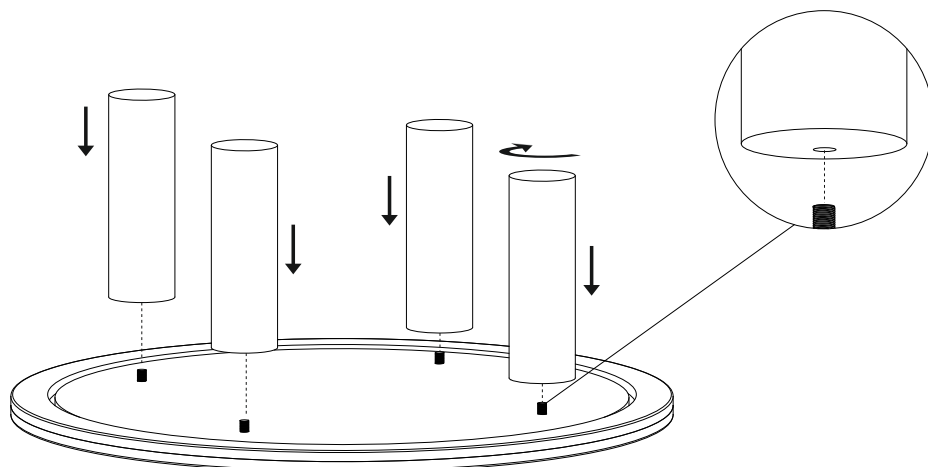
STEP 1

Open box carefully, ensuring the blade of the knife does not come into contact with the product. Lift the product out of box and place the table top face down onto a clean, flat surface (we recommend using a towel or sheet underneath for protection).



STEP 2

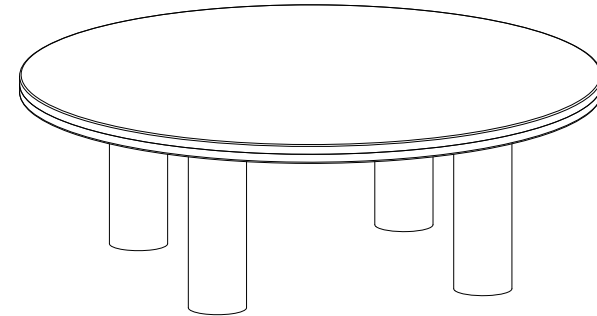
Attach the legs to the table top by gently screwing the legs in a clockwise direction. Do not overtighten as this can damage the fixing connection.



SARAH ELLISON.

STEP 3

Carefully turn the table over (2 persons are recommended). When lifting and flipping your table to be the correct way up, do not use the legs as a tilting point. Their connection to the table top is not designed to be a leverage point and the level of load through this joint may cause the legs to be damaged or break. Position in your room, and don't forget to recycle the packaging where possible.



CARE INSTRUCTIONS

With a little care you can prolong the life of your furniture. The following information is only intended as a general guideline. Please follow the instructions to ensure maximum longevity of your Sarah Ellison furniture. Stone and marble are naturally occurring organic materials, and can contain variations in grain, colour or texture. These differences are to be expected as individual characteristics of the material and inject personality into the item. Our stone is treated with a protective coating however all spills should be cleaned quickly to avoid stains.

- Wipe spills immediately with a damp, clean cloth to avoid staining, as stone is naturally porous, the longer the spill remains, the harder it is to remove.
- We recommend that you use mats and coasters to protect your marble and stone from heat, scratches and permanent marks.
- Stone is a natural product of the earth and must be cleaned with gentle cleaners. Do not use scouring cream or scouring pads, as they may scratch the surface. Never use acidic or abrasive cleaners or vinegar on either stone or marble surfaces.