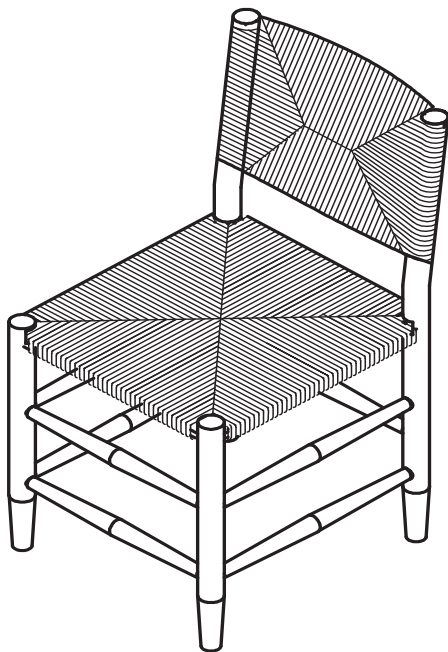


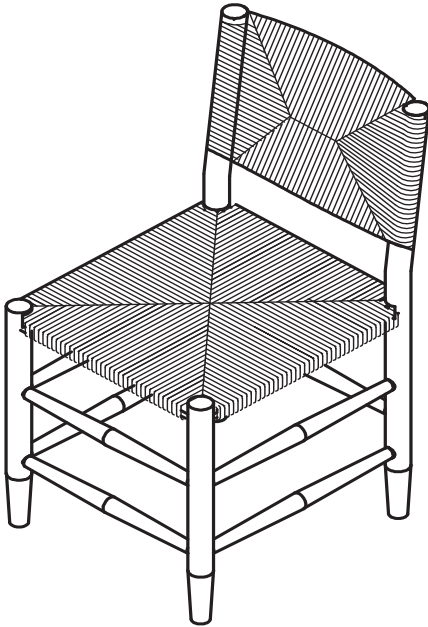
# RACHEL DONATH



## ARNAUD DINING CHAIR

# ARNAUD DINING CHAIR

Thank you for purchasing the Rachel Donath Arnaud Dining Chair. This guide outlines the items you'll find in your delivery. It's essential to inspect the hardware and each component of the product carefully as you unbox and get ready for assembly. To prevent any damage, make sure to place the items on a carpeted or padded surface while unpacking.



## HARDWARE

None

## TOOLS REQUIRED

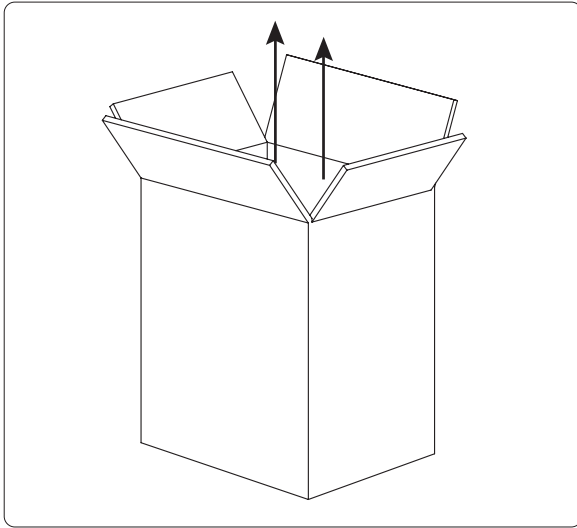
None

## PEOPLE REQUIRED FOR ASSEMBLY

1 Person

## ESTIMATED TIME OF ASSEMBLY

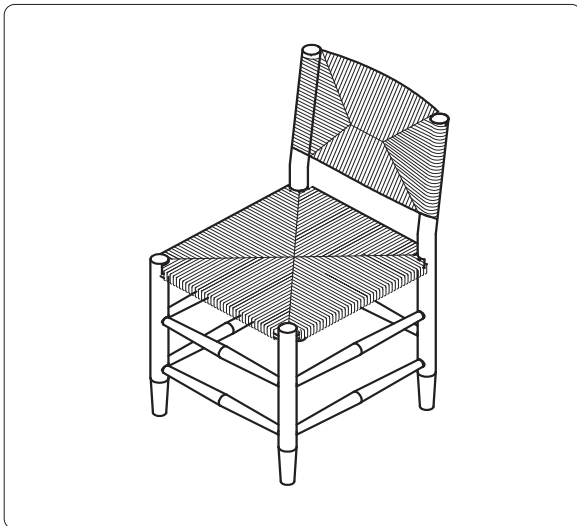
10 Minutes



**STEP 1:**

Open box carefully, ensuring the blade of the knife does not come into contact with the product.

Remove packaging and lift the product up out of box and gently place on ground.



**STEP 2:**

Position in your room, and don't forget to recycle the packaging where possible

## CARE INSTRUCTIONS

Taking a little extra care can significantly extend the lifespan of your furniture. The information below serves as a general guideline, and is to be used for optimal durability of your Rachel Donath furniture.

1. Placement Considerations: Be mindful of where you position your furniture. Extreme conditions, such as prolonged exposure to harsh sunlight, can alter the finish's colour.

2. Timber Care: Timber is responsive to its surroundings. Heat and moisture can cause movement, joint cracks, and lacquer damage. Maintain a stable environment for your timber furniture. We recommend using placemats and trivets to avoid spills soaking into the timber, and to also protect against heat transfer. The general rule is if something is too hot to hold, it is too hot to place on timber.

3. Rush Care: Rush is crafted from woven plant fibres and requires gentle care. Vacuum with a brush attachment to remove debris from crevices, and use a damp cloth to clean surfaces.

By following these instructions, you can ensure the longevity and beauty of your Rachel Donath furniture.

## CUSTOMER SERVICE

For Australian customer service contact :  
[info@racheldonath.com](mailto:info@racheldonath.com)

# RACHEL DONATH