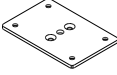


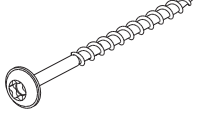
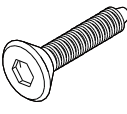
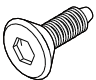


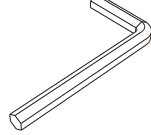
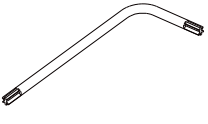
53067 GEOMETRIC DINING TABLE - OAK - ROUND 150/150/76
 ASSEMBLY INSTRUCTIONS FOR DINING TABLE INSTALLATION

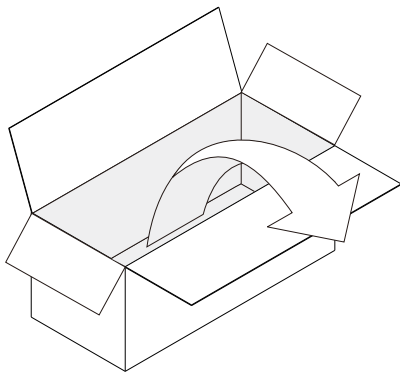


HARDWARE ENCLOSED

 METAL PLATE (3pcs)	 METAL SUPPORT (1pc)	 METAL CONNECTOR (1pc)
 SPAX SCREW M6x100mm (3pcs)	 SCREW DIN7991 M8x50mm (6pcs)	 SCREW DIN7991 M6x20mm (21pcs)

TOOLS ENCLOSED

 ALLEN KEY	 TORX ALLEN KEY
--	---

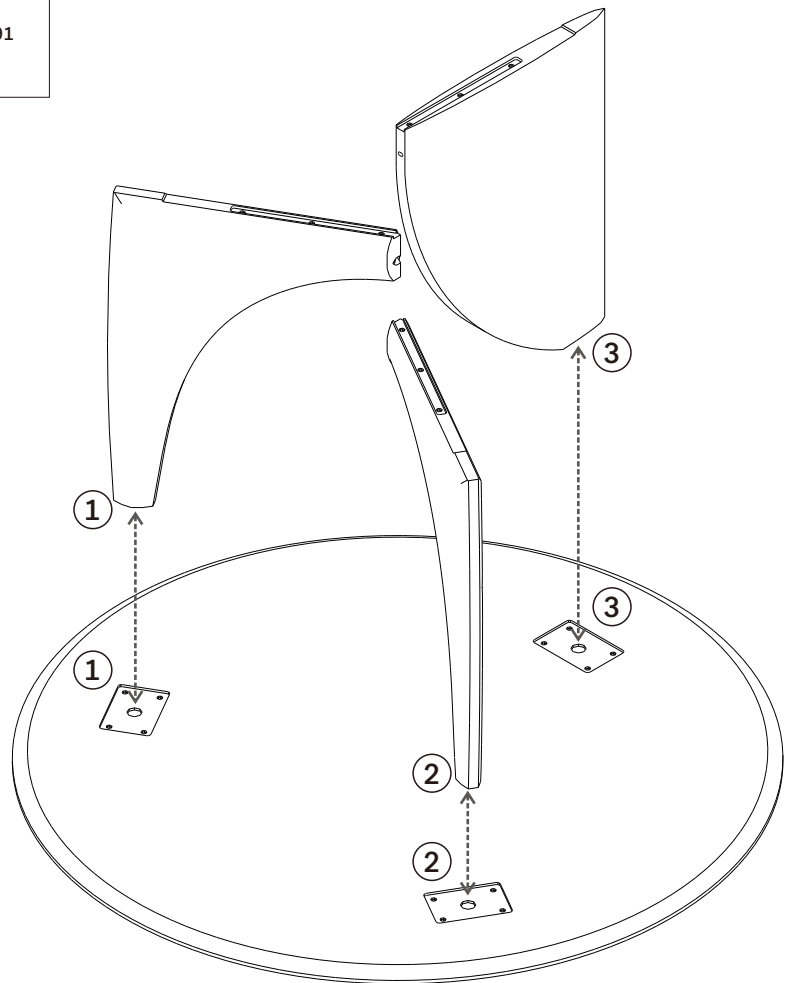


IN YOUR PACKAGE :

ASSEMBLY INSTRUCTIONS
 HARDWARE (AS LISTED ABOVE)

PARTS TO BE INSTALLED

- TABLE TOP (1 pc)
- LEGS (3 pcs)

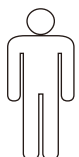


! LEGS ARE SPECIFIC TO EACH FITTING

SYMBOLS



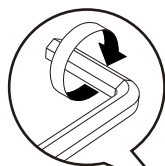
DIRECTION



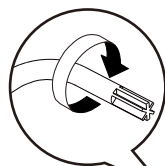
NUMBER OF PERSONS NEEDED



USE HAND

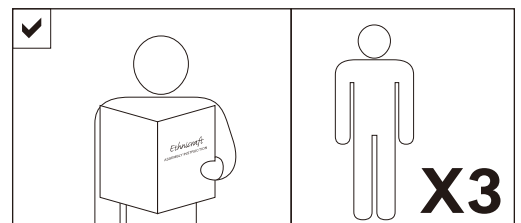


USE ALLEN KEY TO TIGHTEN



USE TORX ALLEN KEY TO TIGHTEN

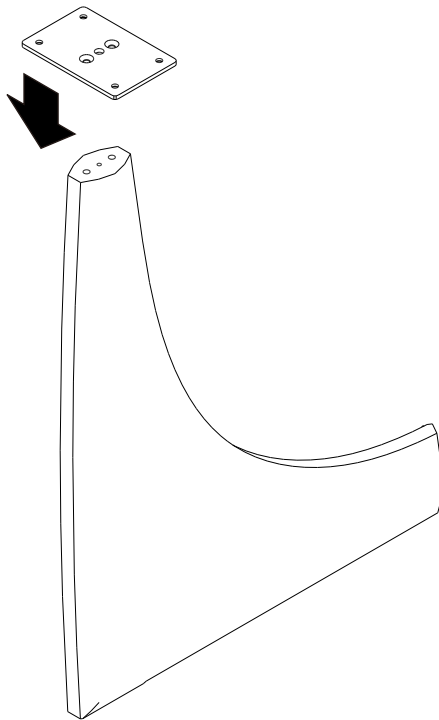
NOTICE



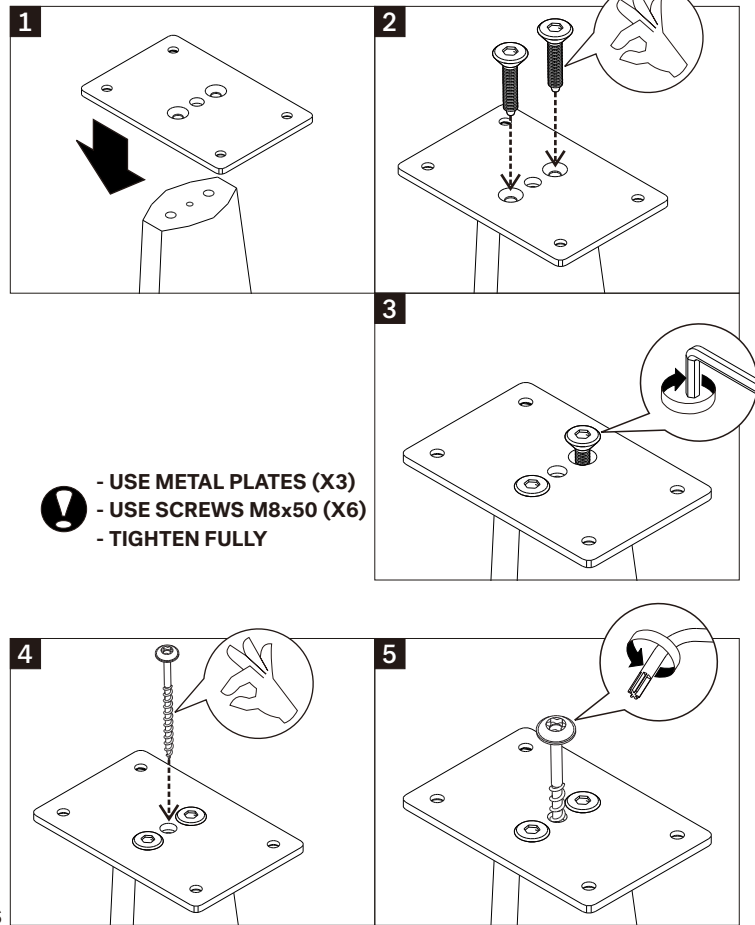
53067 GEOMETRIC DINING TABLE - OAK - ROUND 150/150/76
 ASSEMBLY INSTRUCTIONS FOR DINING TABLE INSTALLATION



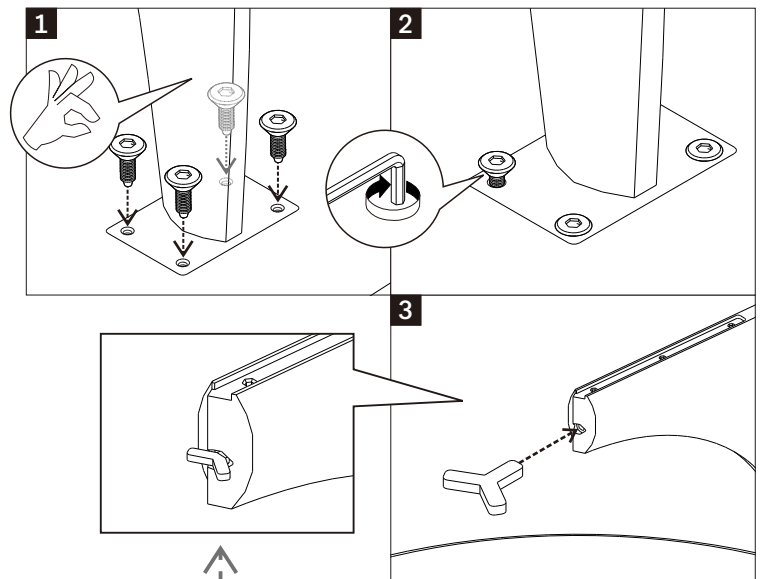
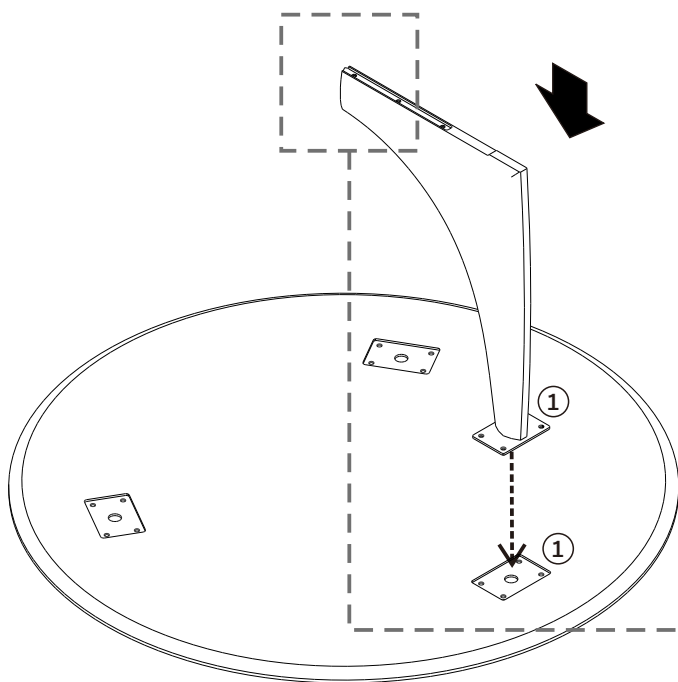
A INSTALLING METAL PLATES ONTO LEG PIECES



- ! - USE SPAX SCREWS M6x100mm (X3)
- TIGHTEN FULLY
- COMPLETE THESE STEPS FOR ALL LEG PIECES



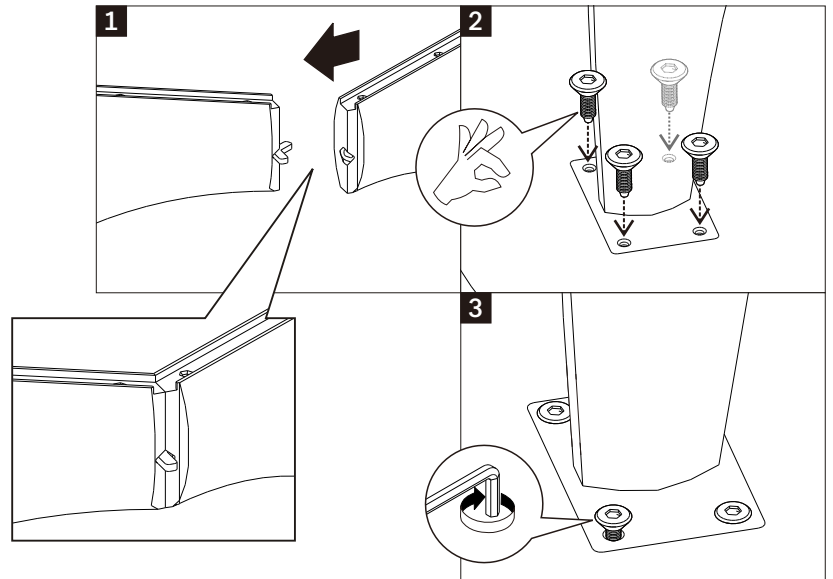
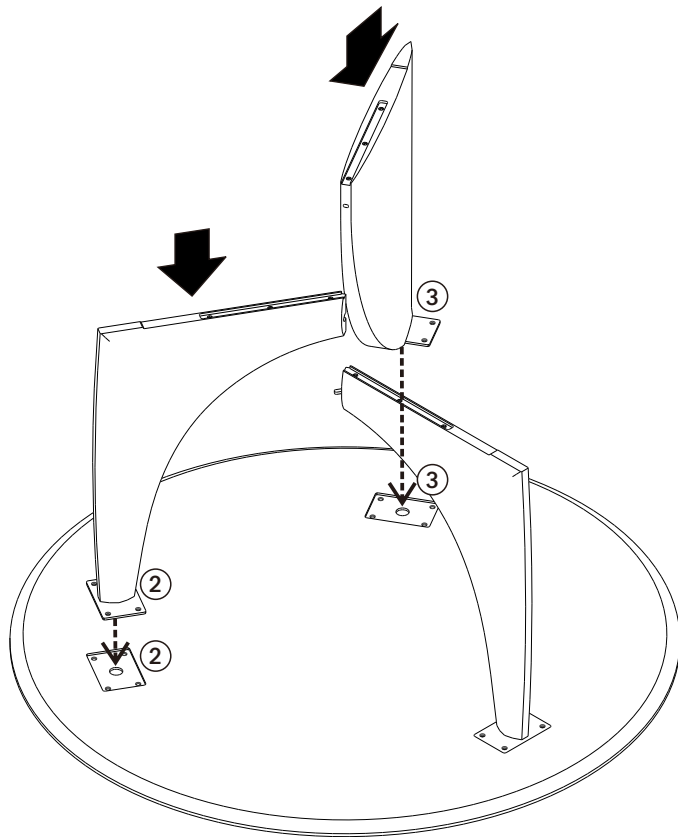
B ATTACHING LEG PIECES TO TABLE TOP



- ! - USE SCREWS M6x20mm (X4)
- USE METAL CONNECTOR
- DO NOT TIGHTEN FULLY

- ! - LEGS ARE SPECIFIC TO EACH FITTING, REFER TO THE CODES ATTACHED TO COMPONENTS FOR CORRECT ALIGNMENT
- X1 PERSON WILL BE REQUIRED TO HOLD THIS LEG PIECE IN PLACE FOR FITTING

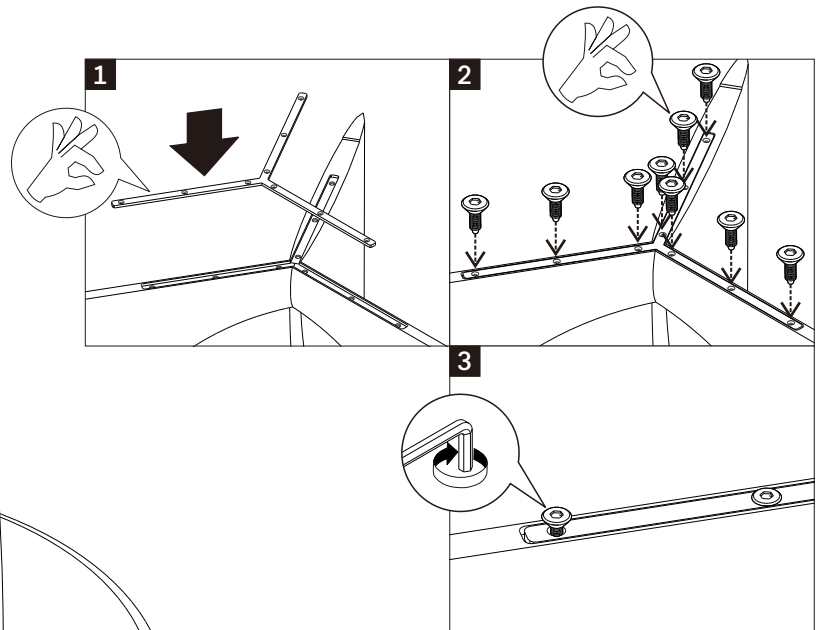
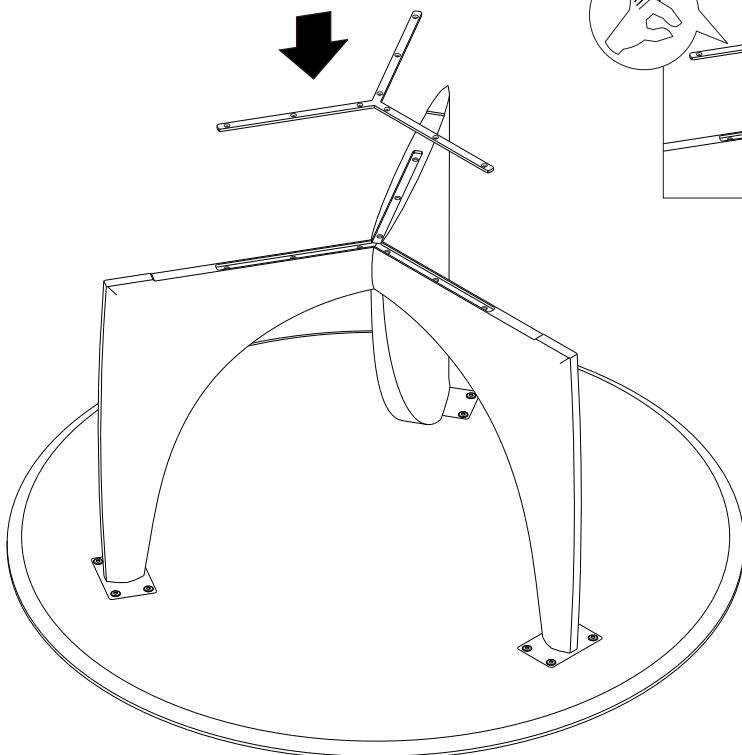
53067 GEOMETRIC DINING TABLE - OAK - ROUND 150/150/76
 ASSEMBLY INSTRUCTIONS FOR DINING TABLE INSTALLATION



- ! - USE SCREWS M6x20mm (X8)
- DO NOT TIGHTEN FULLY

- ! - LEGS ARE SPECIFIC TO EACH FITTING, REFER TO THE CODES ATTACHED TO COMPONENTS FOR CORRECT ALIGNMENT
- X1 PERSON WILL BE REQUIRED TO HOLD EACH LEG PIECE IN PLACE FOR FITTING

C INSTALLING METAL SUPPORT

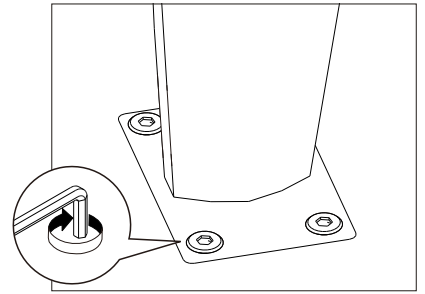
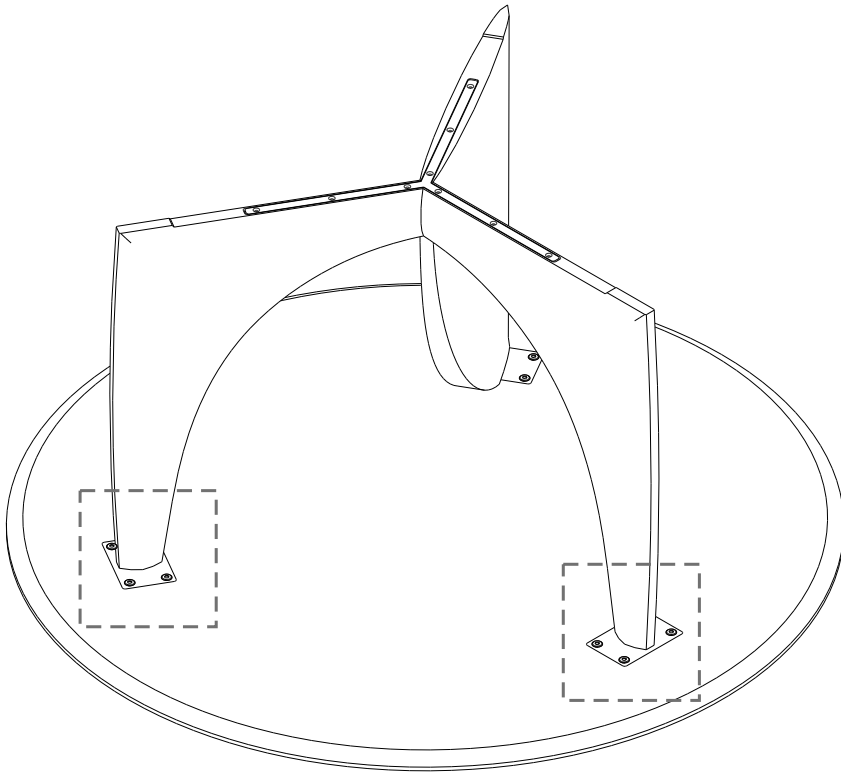


- ! - USE METAL SUPPORT
- USE SCREWS M6x20mm (X9)
- ENSURE LEG CONNECTION AT CROSS POINT IS COMPLETELY FLUSH / CLOSED
- TIGHTEN FULLY

53067 GEOMETRIC DINING TABLE - OAK - ROUND 150/150/76
ASSEMBLY INSTRUCTIONS FOR DINING TABLE INSTALLATION



D ADJUST SCREWS



 **ADJUST ALL SCREWS ON METAL PLATES UNTIL TIGHT**

E FINISH

