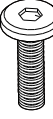

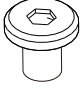

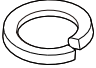
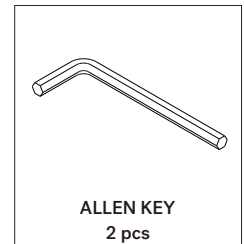




HARDWARE ENCLOSED

 JCBC SCREW M6x20mm 24pcs	 JCBC SCREW M6x5mm 4pcs	 JCBC NUT M6mm 4pcs
 WASHER M6x13mm 24pcs	 SPRING WASHER M6mm 24pcs	

TOOL ENCLOSED

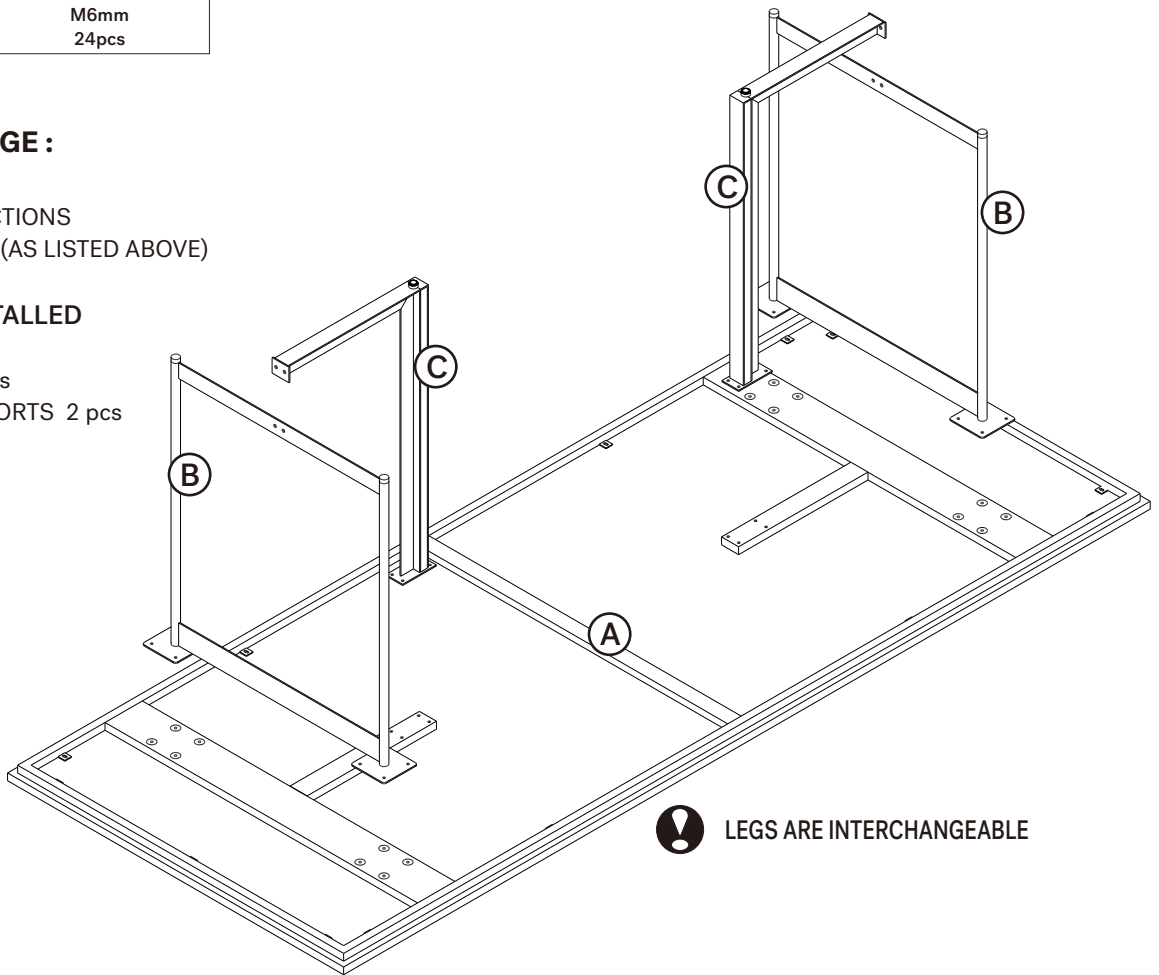


IN YOUR PACKAGE :

ASSEMBLY INSTRUCTIONS
HARDWARE & TOOL (AS LISTED ABOVE)

PARTS TO BE INSTALLED

- A. TOP PANEL 1 pc
- B. METAL LEGS 2 pcs
- C. METAL LEG SUPPORTS 2 pcs

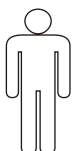


 LEGS ARE INTERCHANGEABLE

SYMBOLS



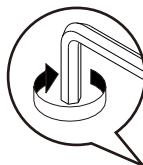
DIRECTION



NUMBER OF PERSONS NEEDED

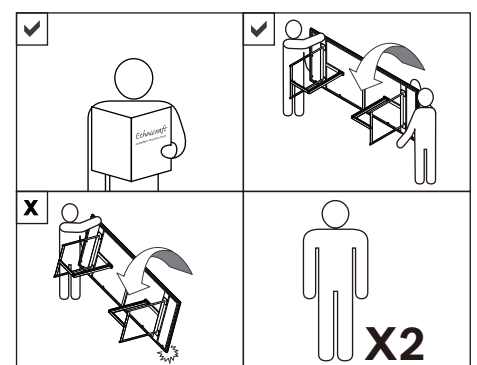


USE HAND



USE ALLEN KEY TO TIGHTEN

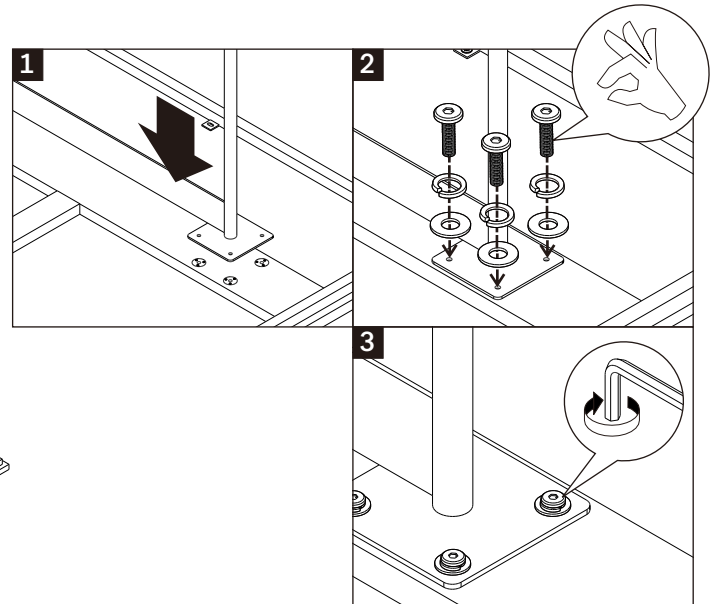
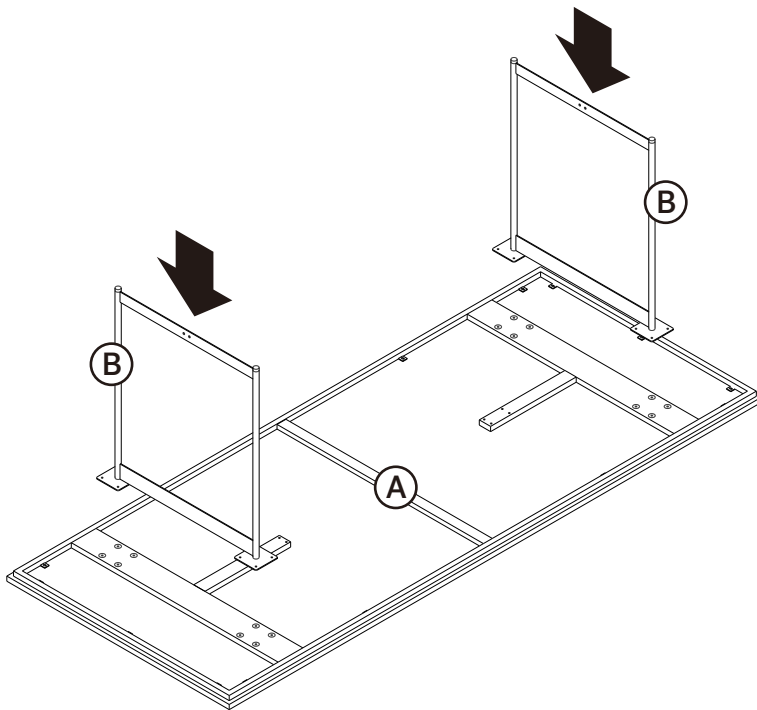
NOTICE



TACET DINING TABLE
ASSEMBLY INSTRUCTIONS FOR TABLE INSTALLATION

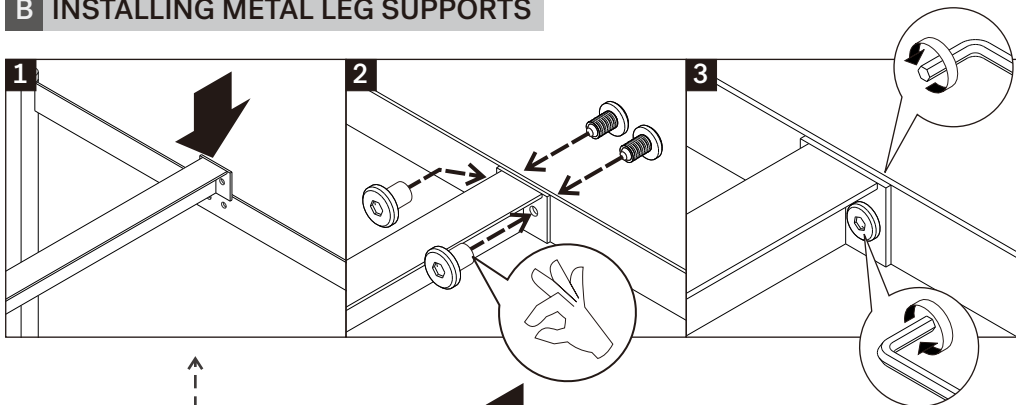


A ATTACHING METAL LEGS TO TABLE TOP

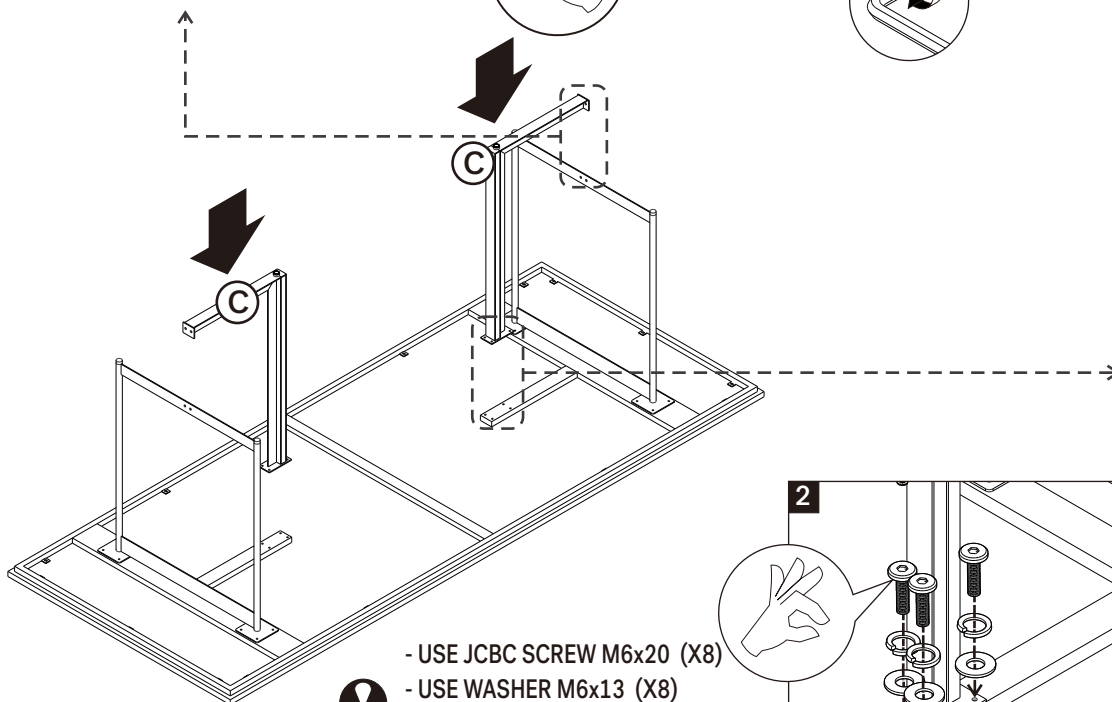


- USE JCBC SCREW M6x20 (X16)
- USE WASHER M6x13 (X16)
- USE SPRING WASHER M6 (X16)
- ADJUST SCREWS TO TIGHTEN FULLY

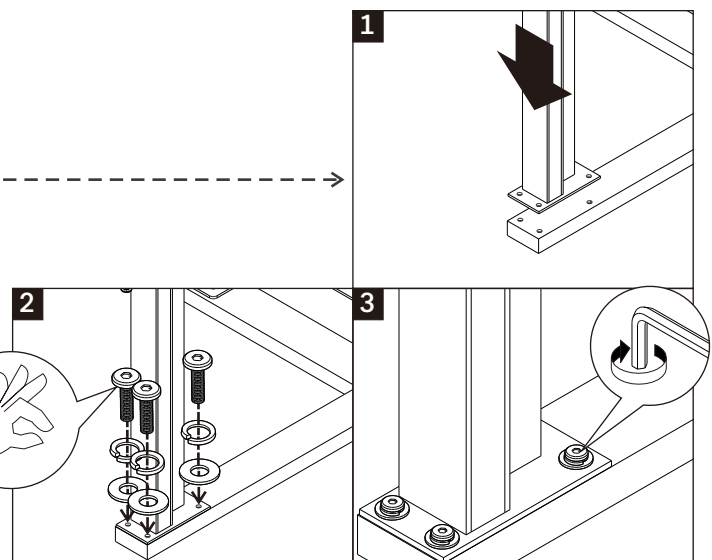
B INSTALLING METAL LEG SUPPORTS



- USE JCBC SCREW M6x5 (X4)
- USE JCBC NUT M6 (X4)
- DO NOT TIGHTEN SCREWS FULLY

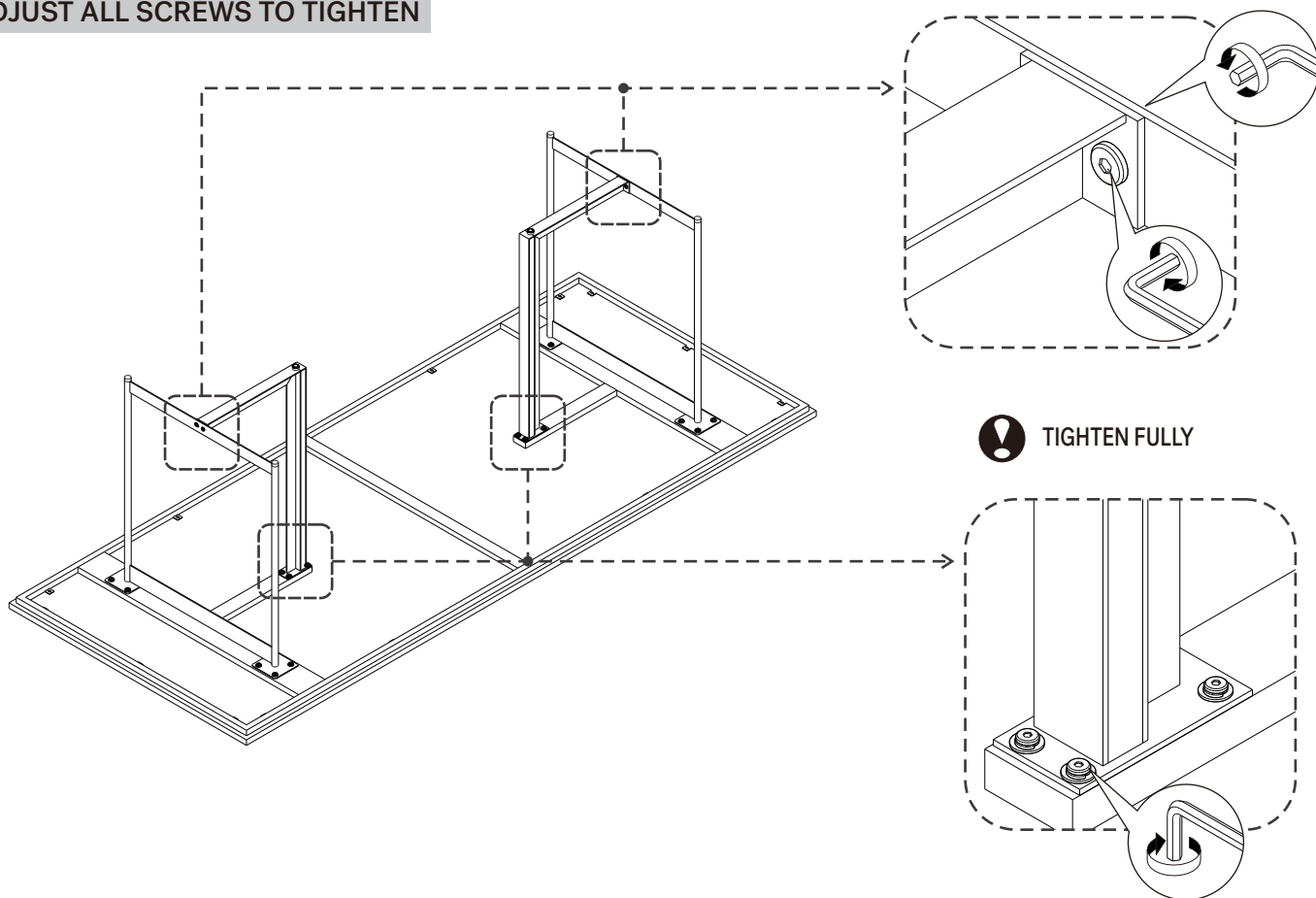


- USE JCBC SCREW M6x20 (X8)
- USE WASHER M6x13 (X8)
- USE SPRING WASHER M6 (X8)
- DO NOT TIGHTEN SCREWS FULLY

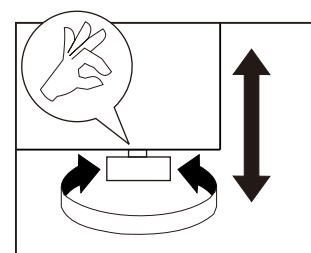
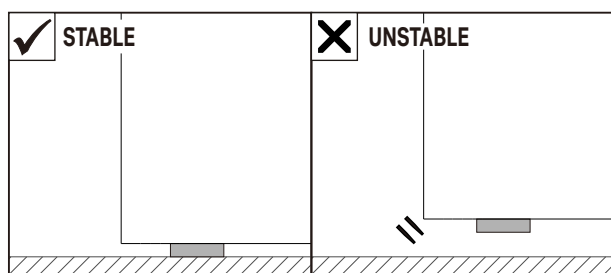
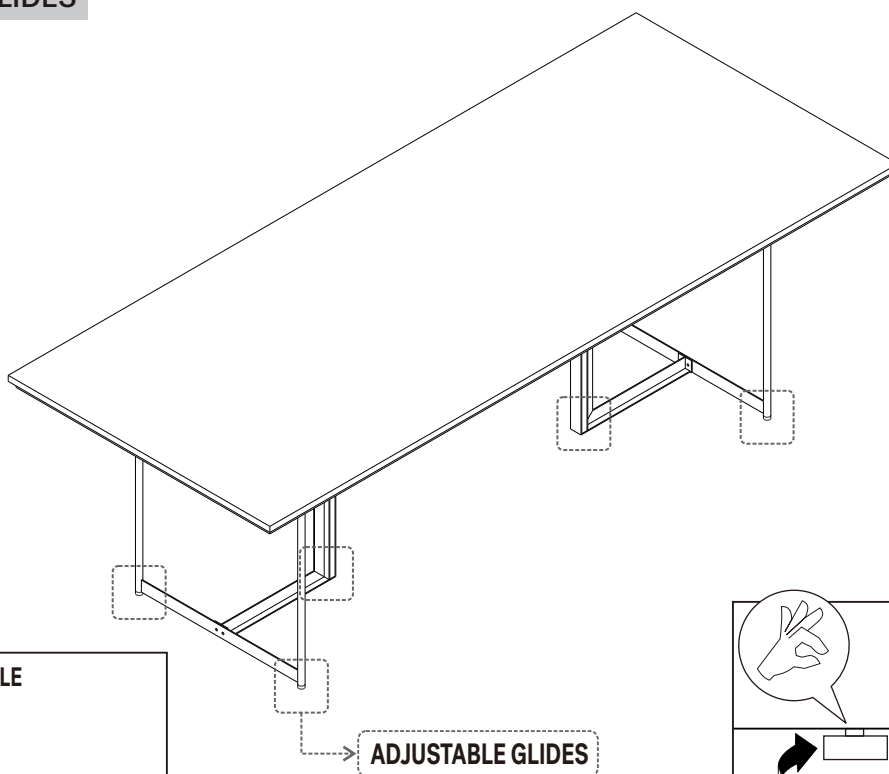
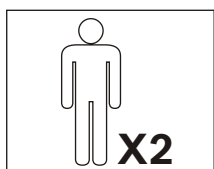




C ADJUST ALL SCREWS TO TIGHTEN



D MODIFY THE ADJUSTABLE GLIDES



NOTE :
TO ENSURE STABILITY, ALL GLIDES SHOULD BE ADJUSTED TO MAKE EVEN CONTACT WITH THE SURFACE UNDERFOOT.