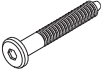


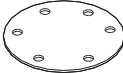

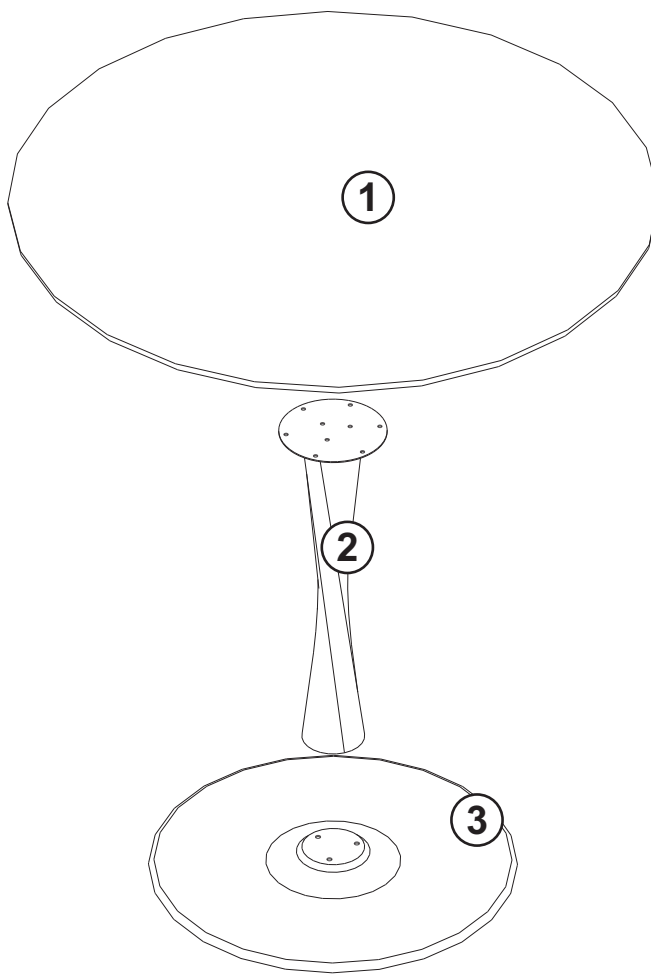
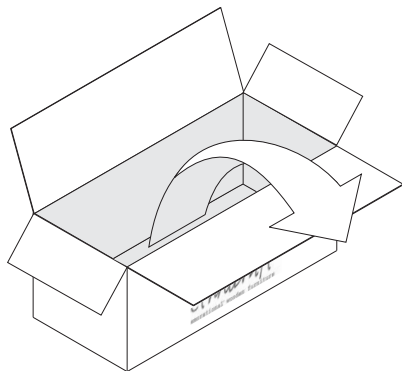
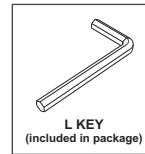


50011 - 50013 OAK TORSION DINING TABLE ASSEMBLY INSTRUCTION FOR TABLE INSTALLATION

HARDWARE ENCLOSED

				
JCBC SCREW M8x50 (3X)	JCBC SCREW M8x16 (9X)	METAL PLATE (SMALL) (1X)	METAL PLATE (LARGE) (1X)	RUBBER PAD (6X)

TOOL



IN YOUR PACKAGE :

ASSEMBLY INSTRUCTION
HARDWARES (AS LISTED ABOVE)

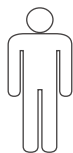
PARTS TO BE INSTALLED

1. TABLE TOP 1 pc
2. CENTER LEG 1 pc
3. LEG BASE 1pc

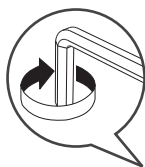
SYMBOLS



DIRECTION

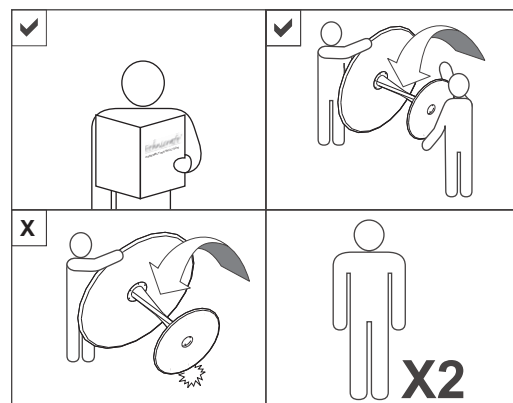


NUMBER OF
PERSONS NEEDED



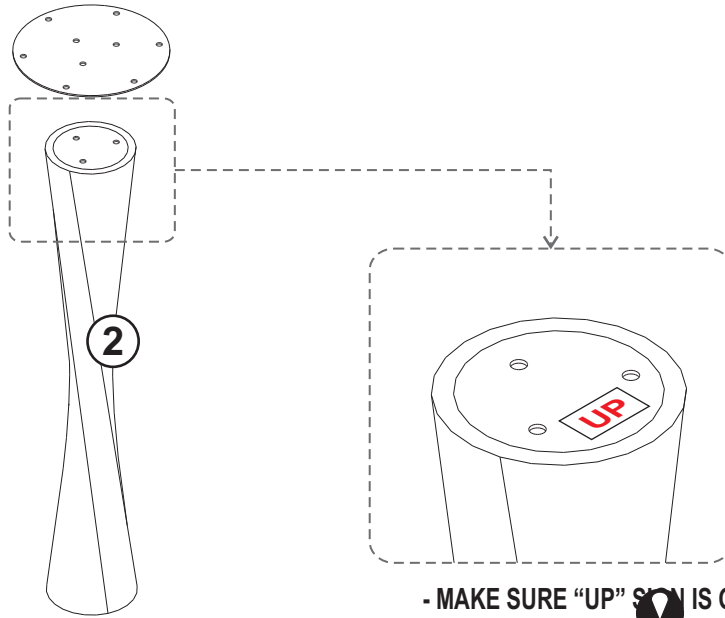
USE L KEY
TO TIGHTEN

NOTICE

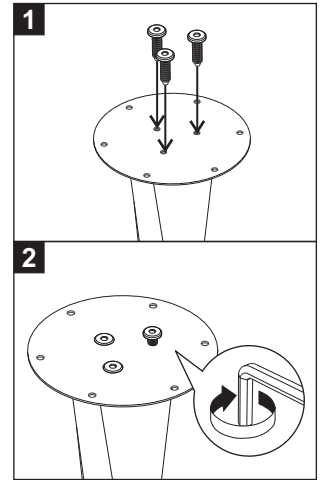


50011 - 50013 OAK TORSION DINING TABLE ASSEMBLY INSTRUCTION FOR TABLE INSTALLATION

A INSTALLING METAL PLATE TO THE CENTER LEG

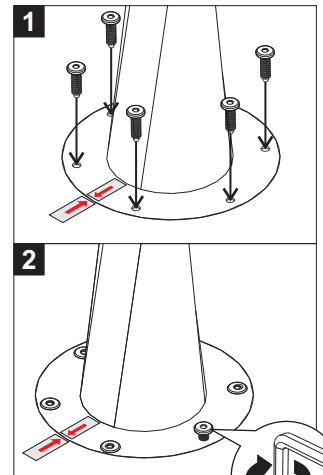
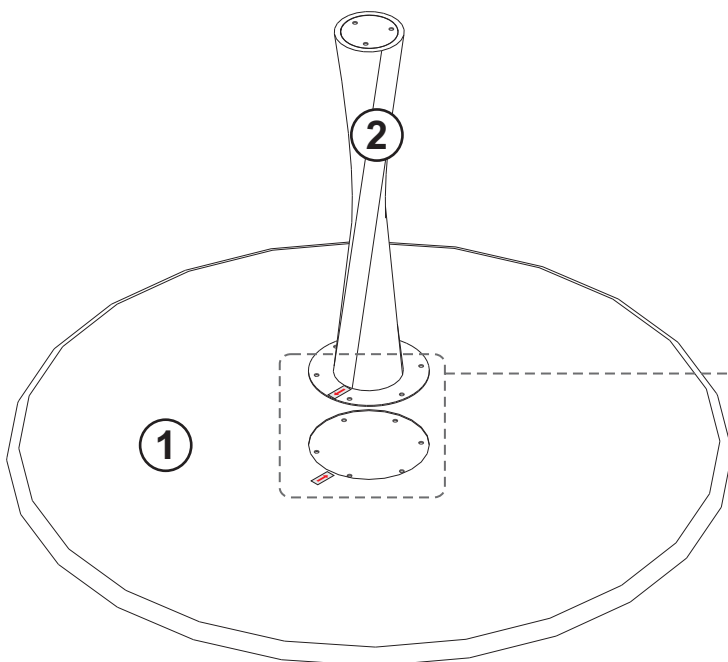


- MAKE SURE "UP" SIDE IS ON TOP / ABOVE
- USE THE SCREW M8x16

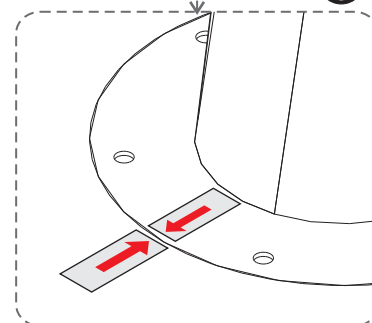


! TIGHTEN FULLY

B INSTALLING CENTER LEG TO TOP TABLE



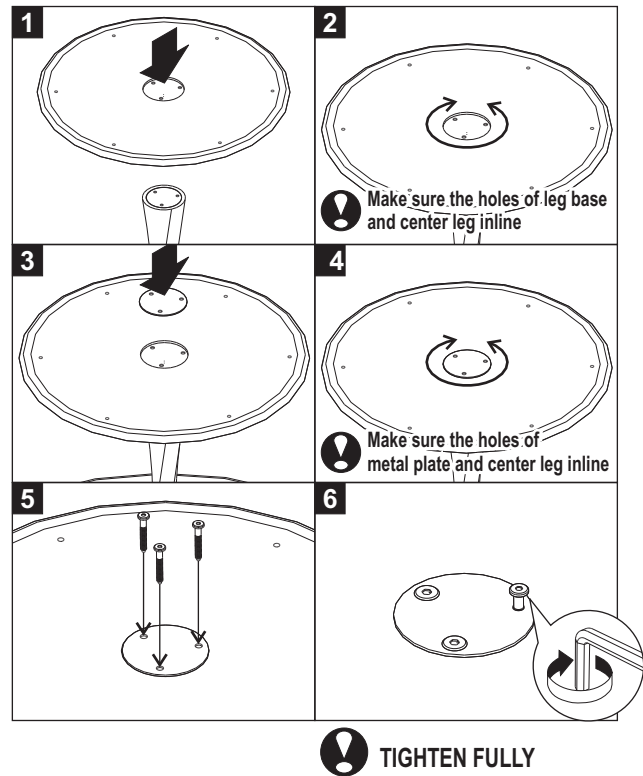
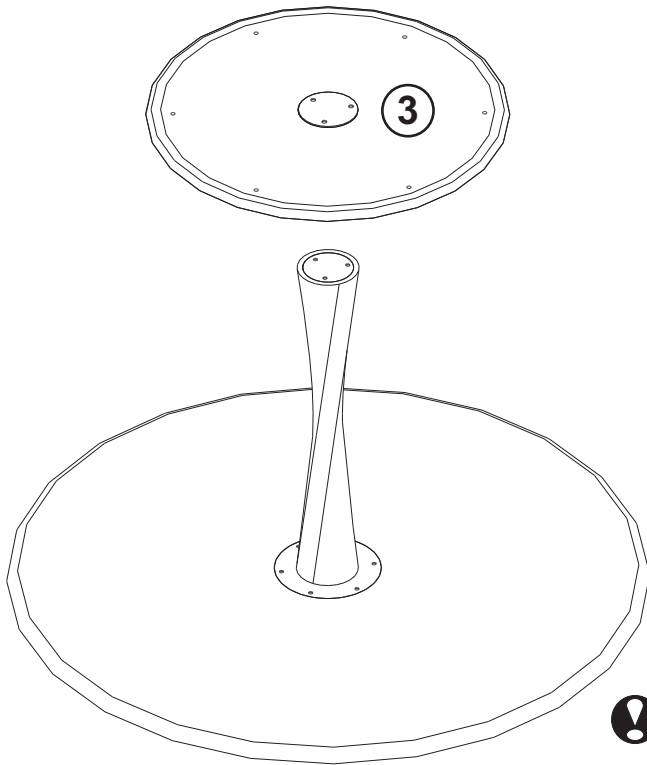
! TIGHTEN FULLY



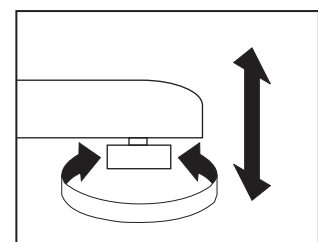
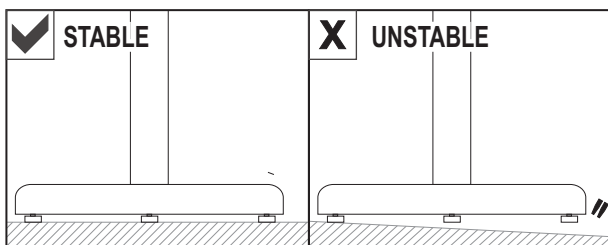
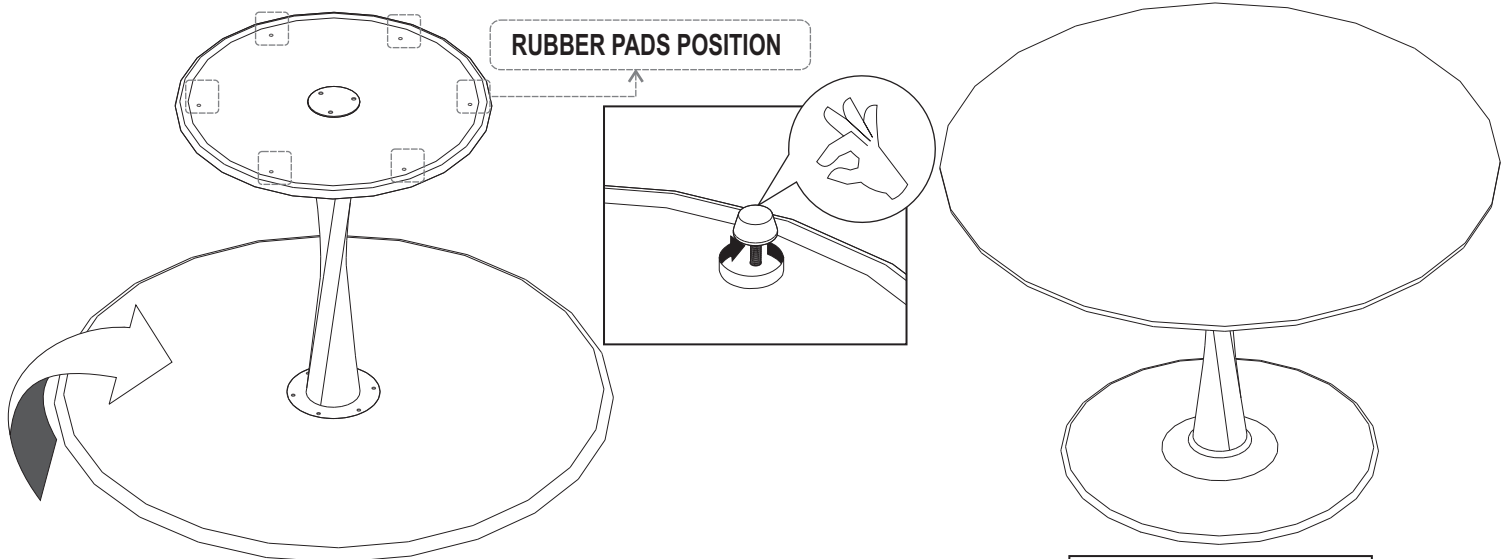
- !** - ALWAYS REFER THE STICKER
- USE THE SCREW M8x16

50011 - 50013 OAK TORSION DINING TABLE
 ASSEMBLY INSTRUCTION FOR TABLE INSTALLATION

C INSTALLING LEG BASE



D ADJUST LEVELER



NOTE :
 THIS IS A COMPULSORY ACTION TO MAKE SURE
 ALL OF THE RUBBER PADS TOUCH THE GROUND!