

safety first

What about safety? Can I attach my locker to the wall?

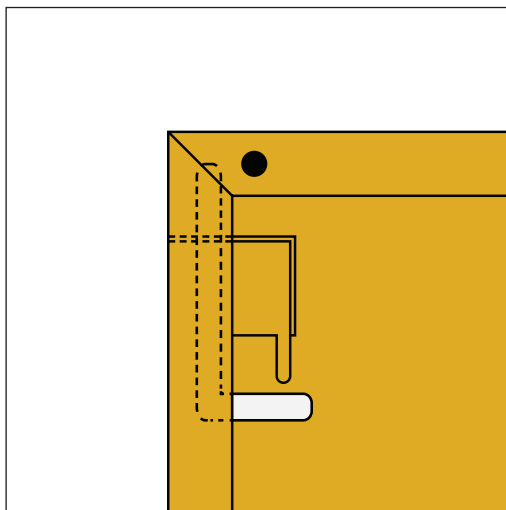
Safety first! Mustard lockers are nice and sturdy, but serious or fatal injury can occur from your locker tipping. To reduce the risk of tipping, we strongly recommend securing your locker to the wall. All Mustard lockers are equipped with slots in the back to enable you to do so.

Please ensure you use the correct fixings for your wall. These are not provided, so please consult a qualified tradesperson if you require advice.

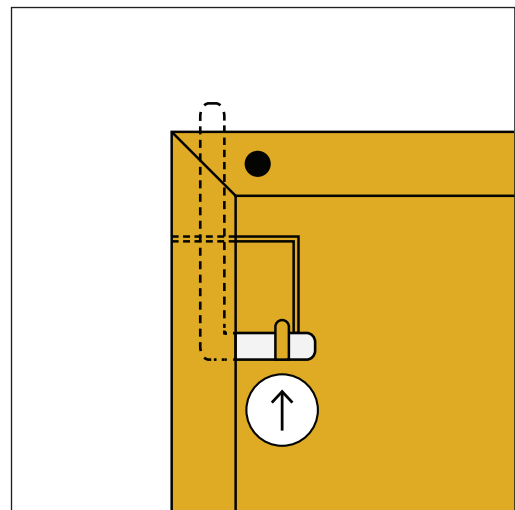
Here are some other handy hints to help avoid accidents:

- Never sit, stand or climb on your locker
- Keep doors closed when not in use
- Avoid placing anything heavy on top of your locker
- Keep heaviest items on the bottom shelves
- At the top of the door, make sure to bend up the little tab to hold the L-shape bracket in place and that will hold the door in place (see diagrams below)

secure the locker door (so it doesn't fall off!)

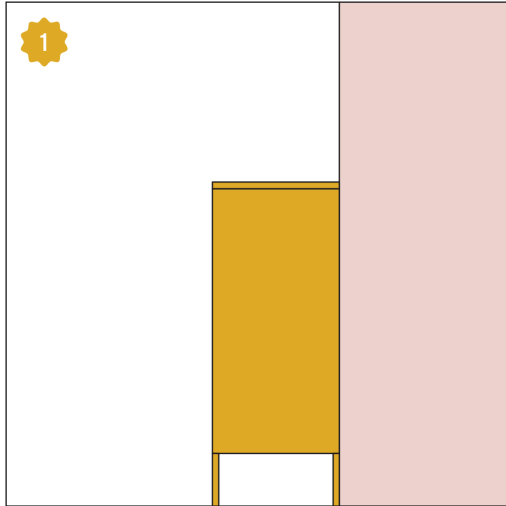


At the top of the door, insert the L shape post up into position through the holes.



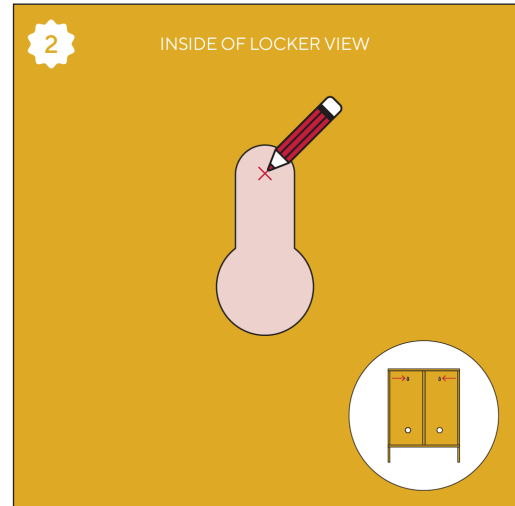
⬆ Push the tab up!
This holds the door in place.

how to secure your locker to the wall (with no skirting boards)



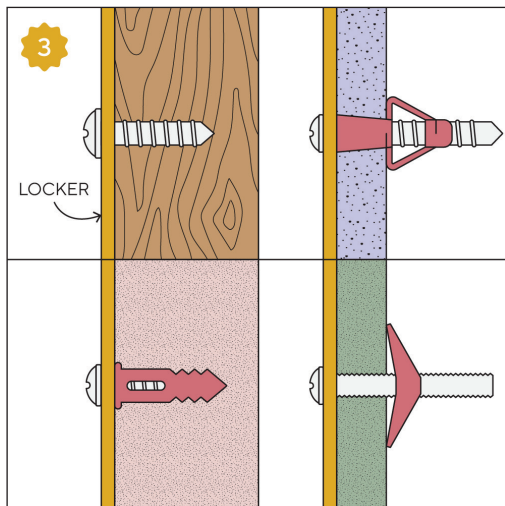
Step 1

Stand your locker flush against the wall in your chosen spot.



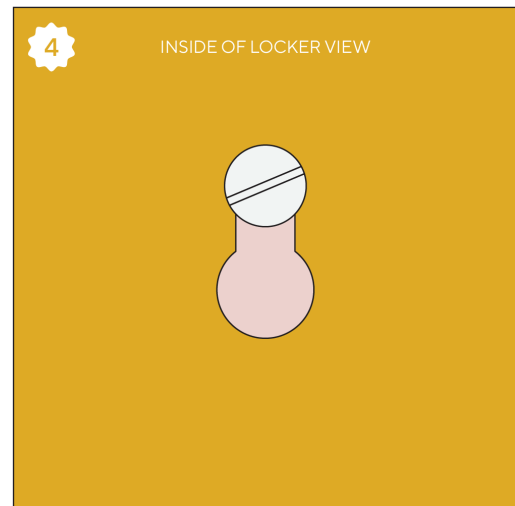
Step 2

From inside your locker, mark the wall at the top of the slots.



Step 3

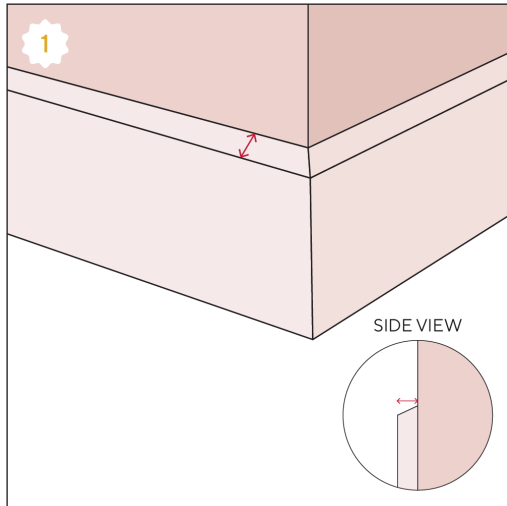
Select the appropriate fixing type for your wall. If you need help, consult a qualified tradesperson for advice.



Step 4

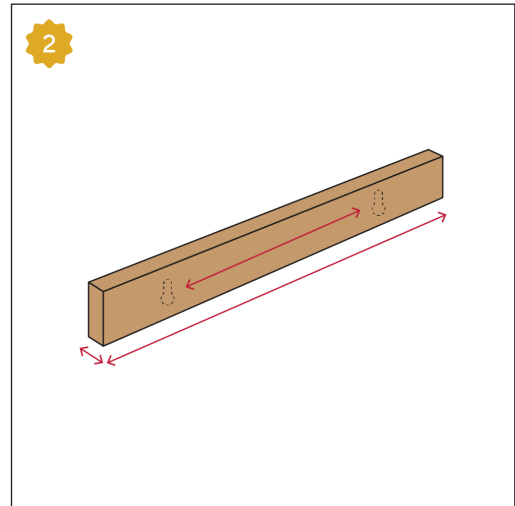
Screw your fixings through the slots. Ta-da! Give yourself a high five.

how to secure your locker to the wall (with skirting boards)



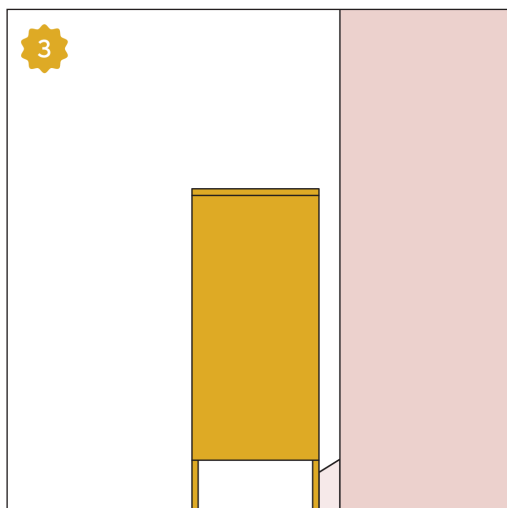
Step 1

Measure the depth of your skirting.



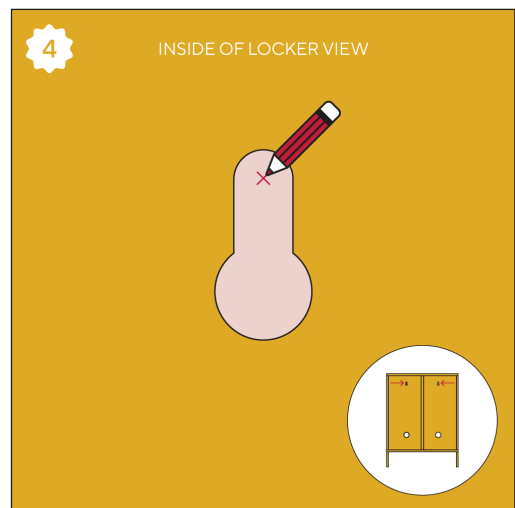
Step 2

Source a piece of timber the same depth as your skirting and wider than the distance between the two slots on your locker.



Step 3

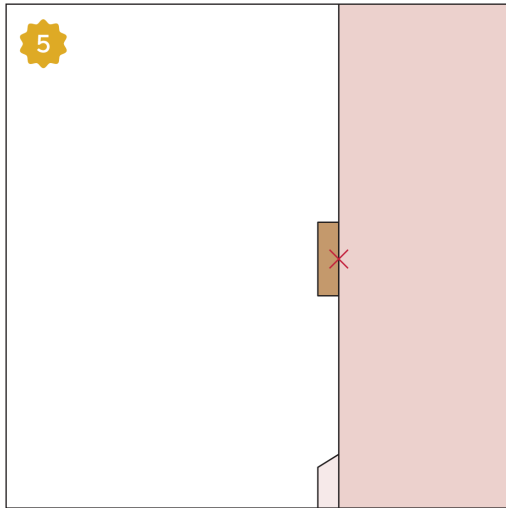
Stand your locker flush against the skirting in your chosen spot.



Step 4

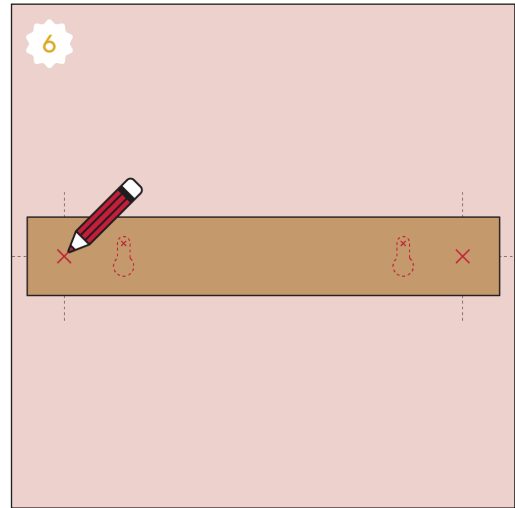
From inside your locker, mark the wall at the top of the slots.

how to secure your locker to the wall (with skirting boards)



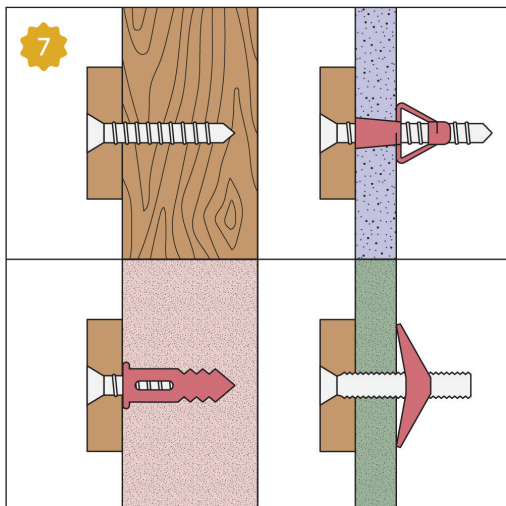
Step 5

Place the timber against your wall, covering the marks.



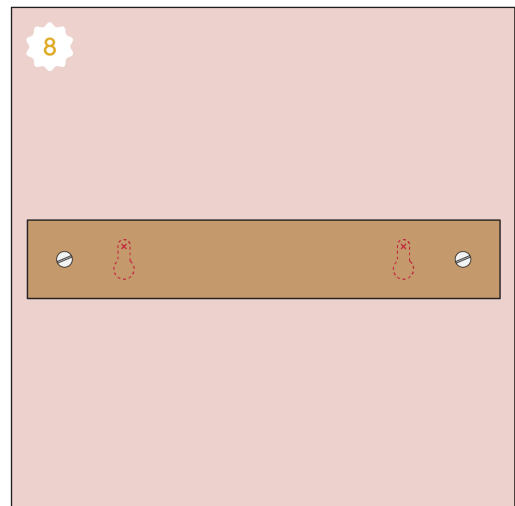
Step 6

Mark the best position for the screws to attach the timber to the wall. You may want to align these to your wall studs.



Step 7

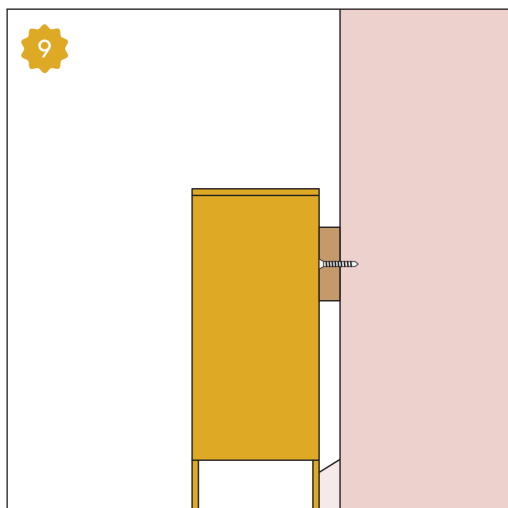
Select the appropriate fixing type for your wall. If you need help, consult a qualified tradesperson for advice.



Step 8

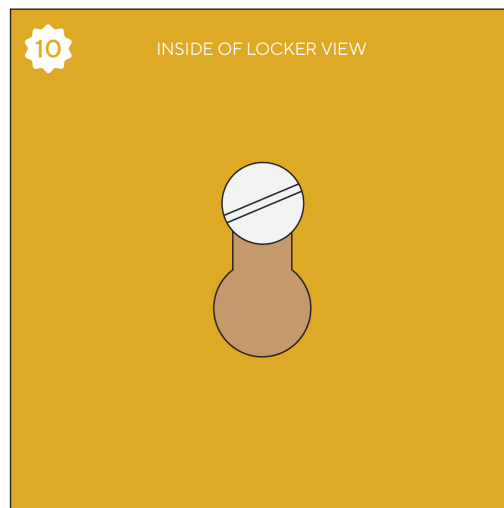
Use these fixings to attach the timber to the wall.

how to secure your locker to the wall (with skirting boards)



Step 9

Place your locker flush against the timber in your chosen spot.



Step 10

Screw your fixings through the slots into the timber. Ta-da! Give yourself a high five.