

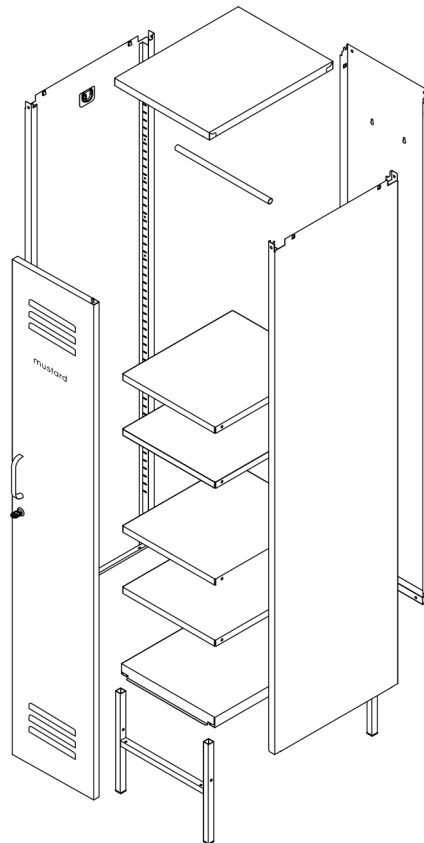


How to build **The Skinny**

Mustard lockers are beautifully designed to make putting them together simple + argument free! No tears + no allen keys! All you need to get started is a **phillips head screwdriver!**

We've made a video taking you through the build step by step. Watch it here: mustardmade.com/build-it. It's easy, you got this!

We recommend you attach the locker to the wall to prevent tipping + causing injury. Use the extra screws + plugs to screw through the two holes in the back panel (as required for your wall).



16 x
brackets
(2 spare)



1x
post



1x
large washer



1x
L shape post



2x
screws



2x
small washers



1x
handle



1x
set of keys
(attached to door)



1x
keyring

1

Stand both legs up + push the side panel down onto the legs.

TIP: make sure the holes in the legs are nearest to the front!

2

Push the second side panel down onto the legs.

3

Push the back panel into place, starting at the bottom.

4

Fold down the tabs on the corners of the back panel.

5

Add the base, starting at the front. Push the base down into place.

6

Add the top panel starting at the front. (You might need an extra pair of hands for this bit!)

7

Check from all angles that the side + back panels are slotted in correctly.

Click the top into place.

8

Insert the rail + pull down to click in.

Add the brackets + place the shelves on top. Use the round holes to help you measure the height.

9

Insert the post + large washer in the hole in the leg.

10

Slide the door down onto the post.

At the top of the door, insert the L shape post up into position through the holes. Bend the tab up.

11

Grab your screwdriver!

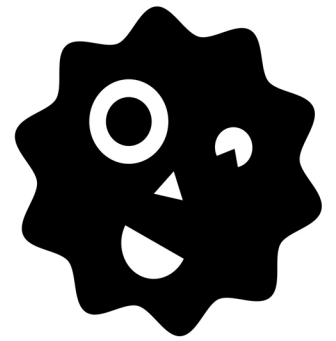
Use your screwdriver to attach the handle with the small screws + small washers.

12

Yippee! High Five!
Now your locker is all done, you can fill it with things.

P.S. pop the spare key in a safe spot just in case!

you got this!



We made you a 'how to' video:
mustardmade.com/build-it
Need help? help@mustardmade.com

love your locker?
Share it: [#mustardmade](https://twitter.com/mustardmade)

safety first

What about safety? Can I attach my locker to the wall?

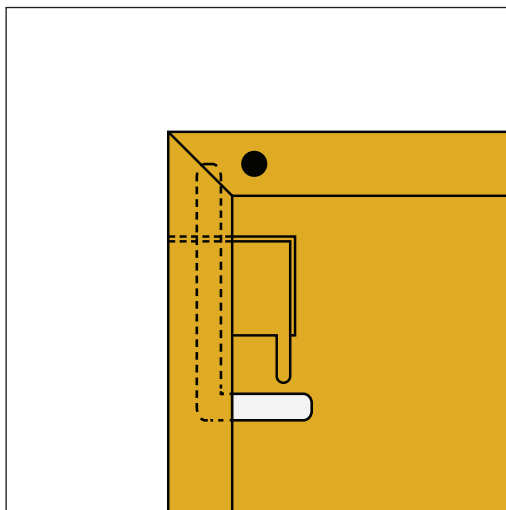
Safety first! Mustard lockers are nice and sturdy, but serious or fatal injury can occur from your locker tipping. To reduce the risk of tipping, we strongly recommend securing your locker to the wall. All Mustard lockers are equipped with slots in the back to enable you to do so.

Please ensure you use the correct fixings for your wall. These are not provided, so please consult a qualified tradesperson if you require advice.

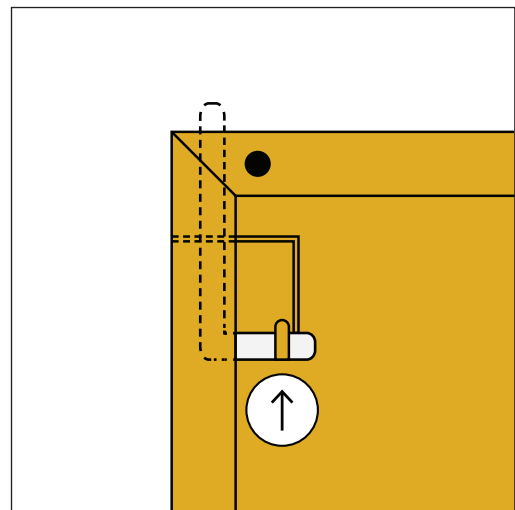
Here are some other handy hints to help avoid accidents:

- Never sit, stand or climb on your locker
- Keep doors closed when not in use
- Avoid placing anything heavy on top of your locker
- Keep heaviest items on the bottom shelves
- At the top of the door, make sure to bend up the little tab to hold the L-shape bracket in place and that will hold the door in place (see diagrams below)

secure the locker door (so it doesn't fall off!)

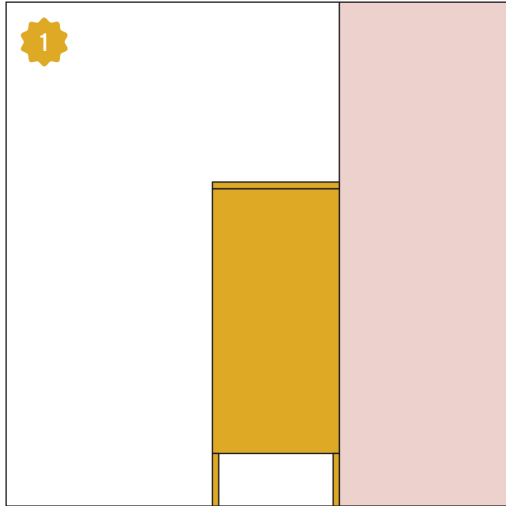


At the top of the door, insert the L shape post up into position through the holes.



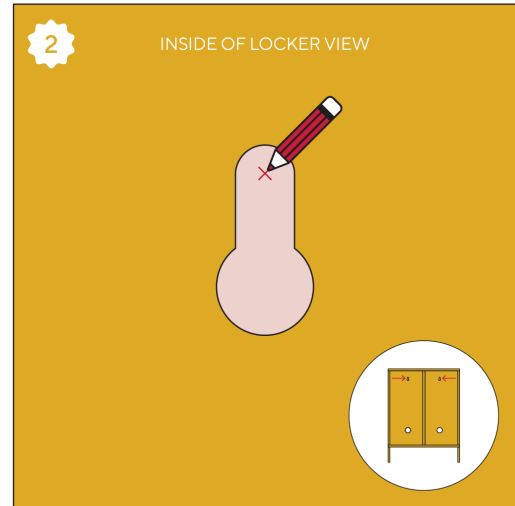
⬆ Push the tab up!
This holds the door in place.

how to secure your locker to the wall (with no skirting boards)



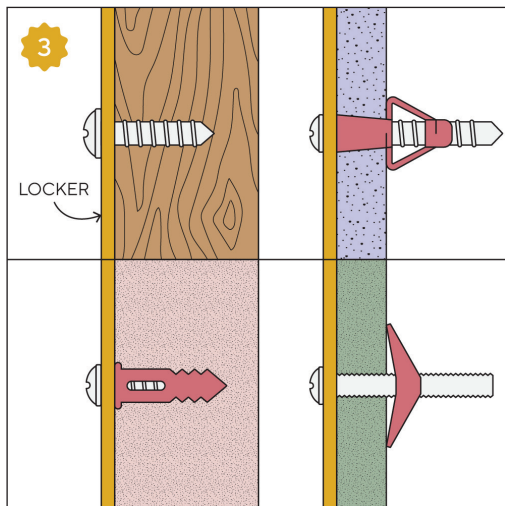
Step 1

Stand your locker flush against the wall in your chosen spot.



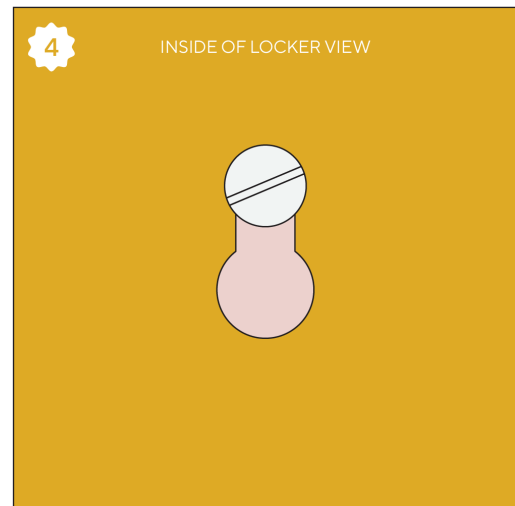
Step 2

From inside your locker, mark the wall at the top of the slots.



Step 3

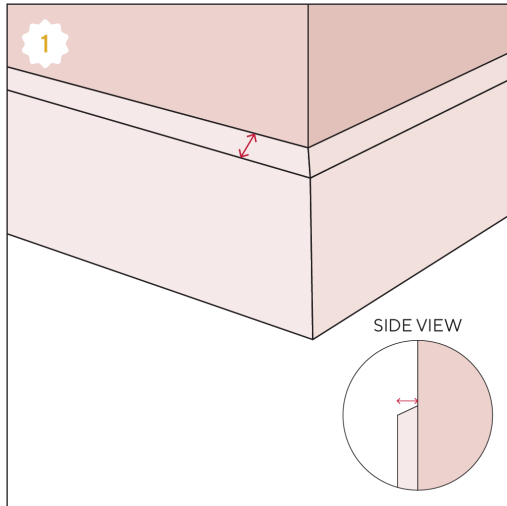
Select the appropriate fixing type for your wall. If you need help, consult a qualified tradesperson for advice.



Step 4

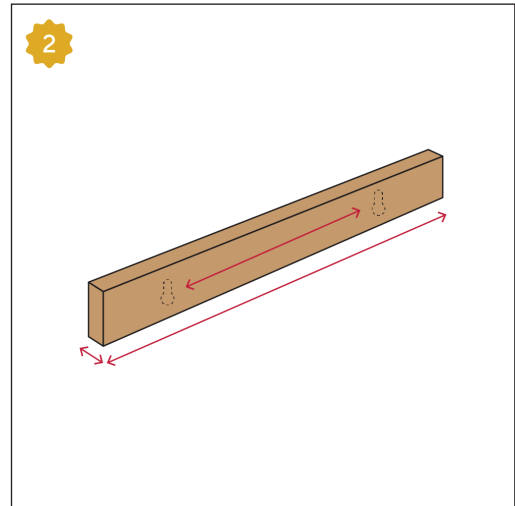
Screw your fixings through the slots. Ta-da! Give yourself a high five.

how to secure your locker to the wall (with skirting boards)



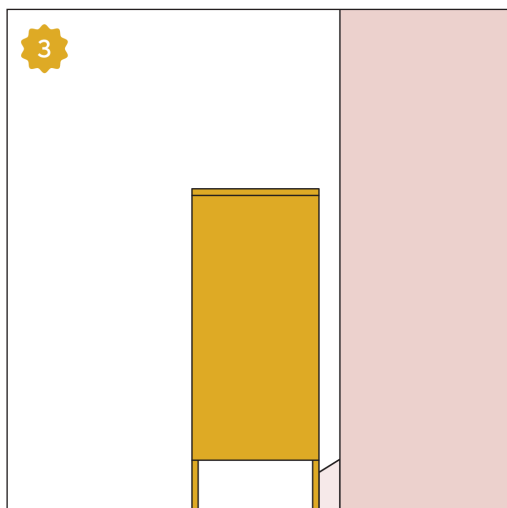
Step 1

Measure the depth of your skirting.



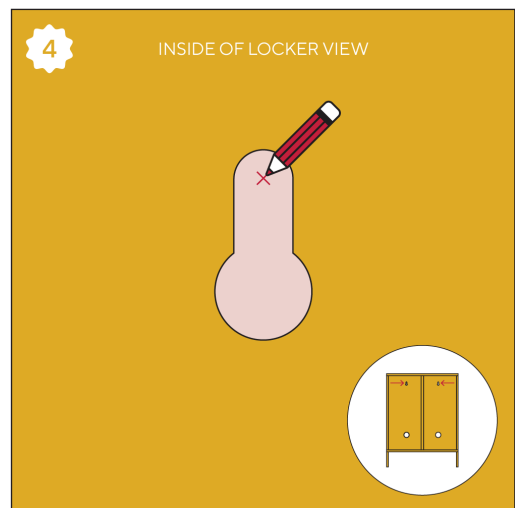
Step 2

Source a piece of timber the same depth as your skirting and wider than the distance between the two slots on your locker.



Step 3

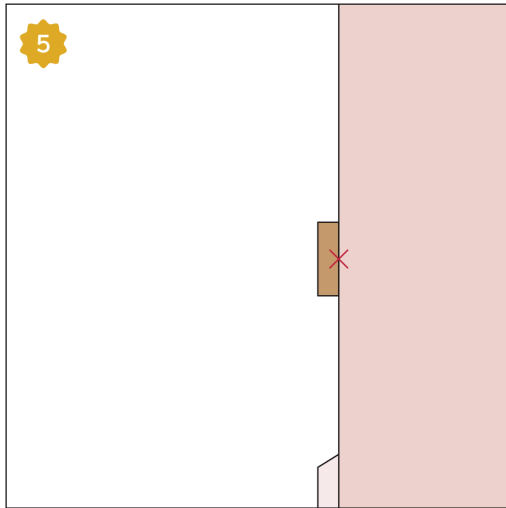
Stand your locker flush against the skirting in your chosen spot.



Step 4

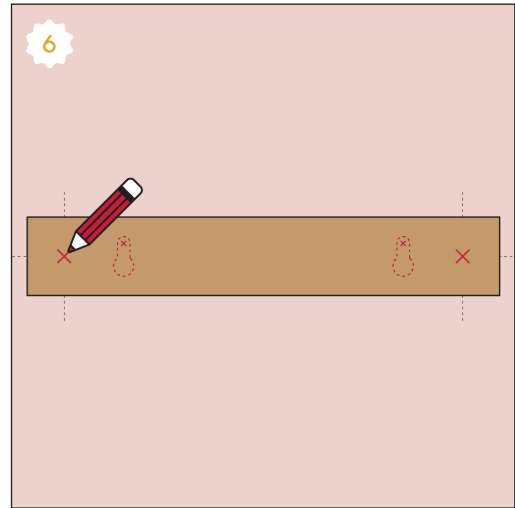
From inside your locker, mark the wall at the top of the slots.

how to secure your locker to the wall (with skirting boards)



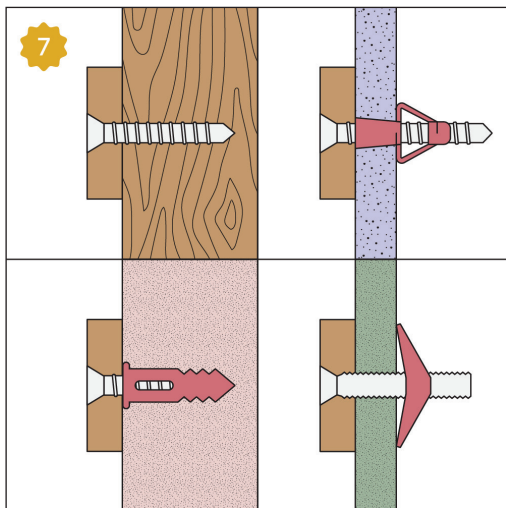
Step 5

Place the timber against your wall, covering the marks.



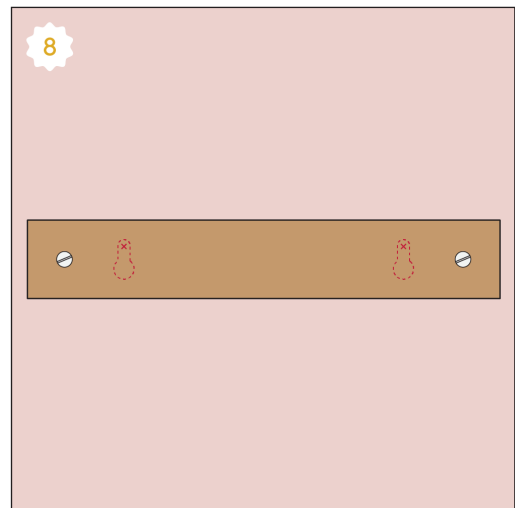
Step 6

Mark the best position for the screws to attach the timber to the wall. You may want to align these to your wall studs.



Step 7

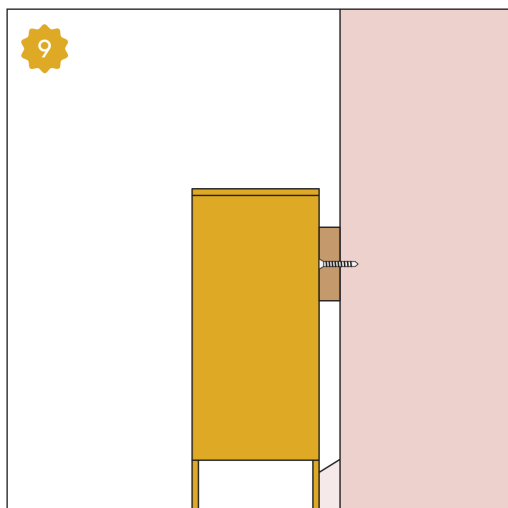
Select the appropriate fixing type for your wall. If you need help, consult a qualified tradesperson for advice.



Step 8

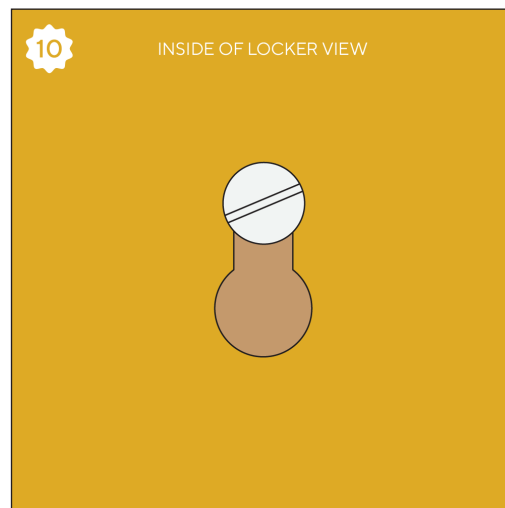
Use these fixings to attach the timber to the wall.

how to secure your locker to the wall (with skirting boards)



Step 9

Place your locker flush against the timber in your chosen spot.



Step 10

Screw your fixings through the slots into the timber. Ta-da! Give yourself a high five.