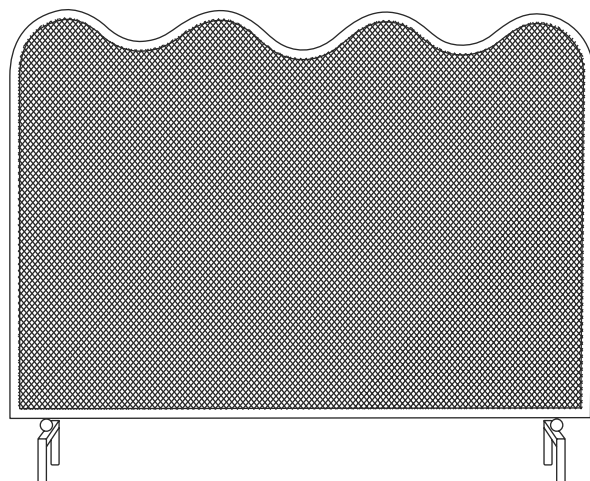


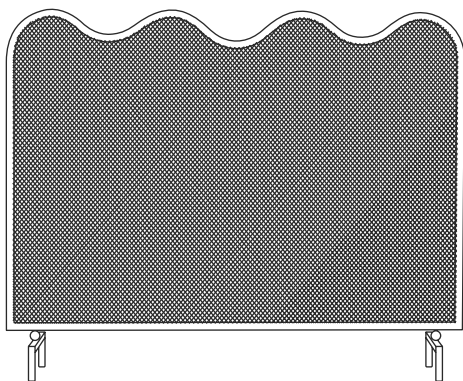
RACHEL DONATH



WAVE FIRE SCREEN

WAVE FIRE SCREEN

Thank you for purchasing the Rachel Donath Wave Fire Screen. This guide outlines the items you'll find in your delivery. It's essential to inspect the hardware and each component of the product carefully as you unbox and get ready for assembly. To prevent any damage, make sure to place the items on a carpeted or padded surface while unpacking.



HARDWARE

2 x M6x30mm Bolts

TOOLS REQUIRED

Allen key (supplied)

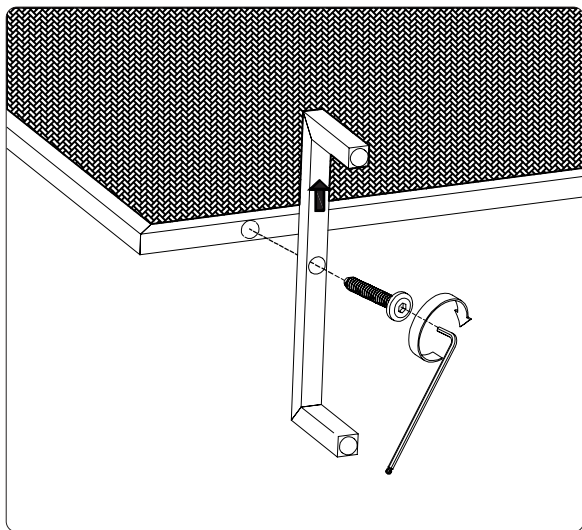
PEOPLE REQUIRED FOR ASSEMBLY

1 Person

ESTIMATED TIME OF ASSEMBLY

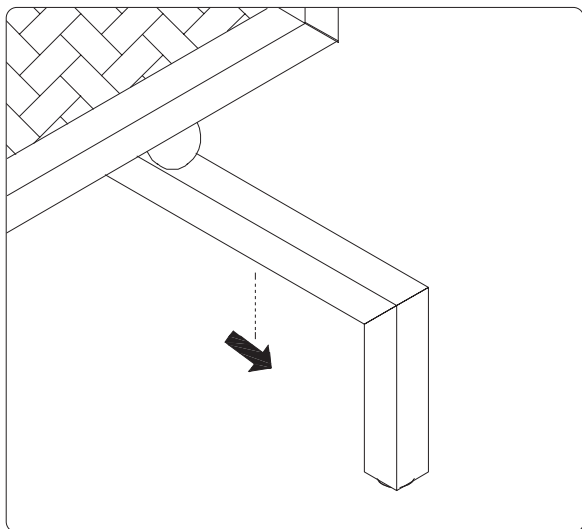
30 Minutes

DISCLAIMER: This product is for decorative purposes only. It is not designed to prevent damage to property or protect persons and animals from open fire, flames, heat, embers or sparks. Rachel Donath is not responsible for any injury, harm, loss or damage caused by inappropriate use of this product.



STEP 1:

Laying the fire screen face down on a flat, soft surface (we recommend carpet, or a towel), fasten the two legs to the screen using the supplied bolts and allen key.



STEP 2:

The underneath of each leg will be marked with an arrow. Ensure that when fixed, both arrows are pointing in the same direction.

Position in your room, and don't forget to recycle where possible.

CARE INSTRUCTIONS

Taking a little extra care can significantly extend the lifespan of your furniture. The information below serves as a general guideline, and is to be used for optimal durability of your Rachel Donath furniture.

1. Placement Considerations: Be mindful of where you position your furniture. Extreme conditions, such as prolonged exposure to harsh sunlight, can alter the finish's colour.

2. Metal Care: Although resistant to rust, powdercoated metals will oxidize if the coating is chipped, scratched or exposed to harsh chemicals and UV rays over time. Do not use harsh solvent-based, abrasive or stainless steel cleaners. These will accelerate staining, fading and ultimate failure of the powdercoated finish. We recommend using a mild soap product.

By following these instructions, you can ensure the longevity and beauty of your Rachel Donath furniture.

CUSTOMER SERVICE

For Australian customer service contact :
info@racheldonath.com

RACHEL DONATH