

# SARAH ELLISON.



## EARTH DINING TABLE

### Assembly

Assembly required.

### Warranty

We offer a 2 year hardgood product warranty against defects. This does not cover general wear and tear, or accidental breakage post-delivery.

### Construction

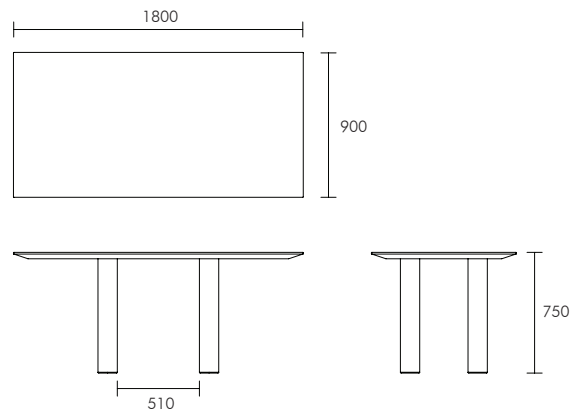
Solid and Veneer Walnut or Oak on Engineered wood substrate.

### Dimensions (mm)

Overall: 1800 W x 900 D x 750 H  
Weight: 53kg

### Boxed Dimensions:

Carton 1: 1915 W x 1015 D x 135 H  
Carton 2: 695 W x 840 D x 230 H

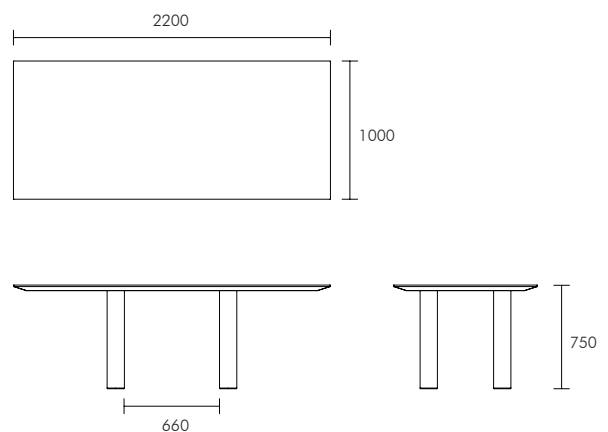


### Dimensions (mm)

Overall: 2200 W x 1000 D x 750 H  
Weight: 62kg

### Boxed Dimensions:

Carton 1: 2315 W x 1115 D x 135 H  
Carton 2: 695 W x 840 D x 230 H



Please note all dimensions are approximate.