



MUSE MODULAR SOFA

Assembly

Assembly Required.

Warranty

Two Year Limited Warranty Applies.

Construction

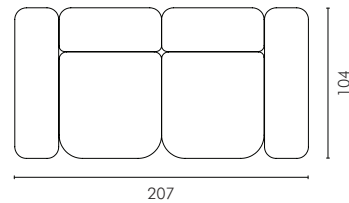
Engineered Timber | Webbing | Sinuous Springs | Upholstery
Fabrics | Upholstery Foams

2 Seater Dimensions W x D x H (cm)

Overall: 207 x 104 x 74 cm

Seat width: 147 cm

LAF + RAF

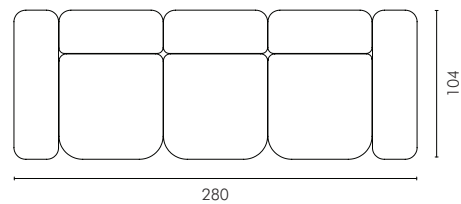


3 Seater Dimensions W x D x H (cm)

Overall: 280 x 104 x 74 cm

Seat width: 221 cm

LAF + A/L + RAF

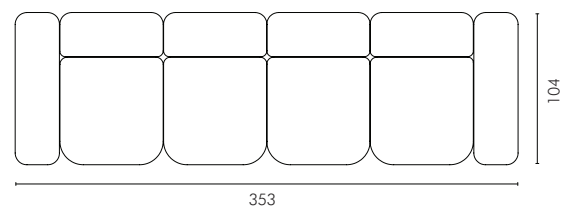


4 Seater Dimensions W x D x H (cm)

Overall: 353 x 104 x 74 cm

Seat width: 294 cm

LAF + A/L + A/L + RAF



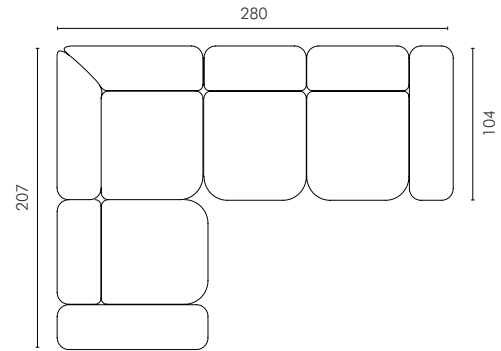
ELLISON STUDIOS.

MUSE MODULAR SOFA

4 Piece Modular Dimensions W x D x H (cm)

Overall: 280 x 207 x 74 cm

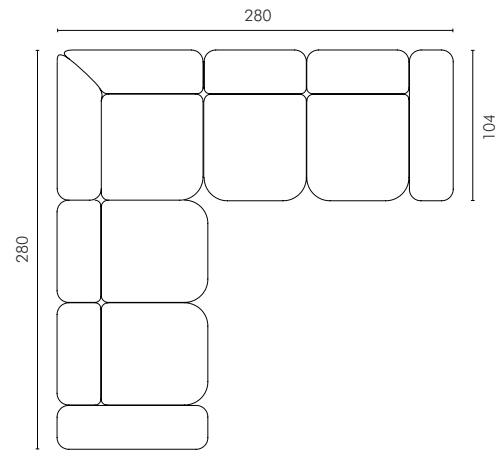
LAF + CNR + A/L + RAF



5 Piece Modular Dimensions W x D x H (cm)

Overall: 280 x 280 x 74 cm

LAF + A/L + CNR + A/L + RAF



Armless Module (A/L) Dimensions W x D x H (cm)

Overall: 74 x 104 x 74 cm

Weight: 18 kg

Back Height: 74 cm

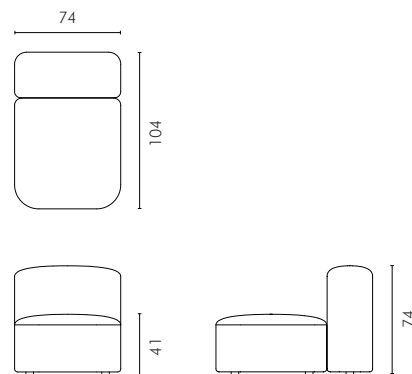
Seat Height: 41 cm

Seat Depth: 65 cm

Number of Cartons : 1

Boxed Dimensions:

Carton 1: 75 x 105 x 76 | 30 kg



ELLISON STUDIOS.

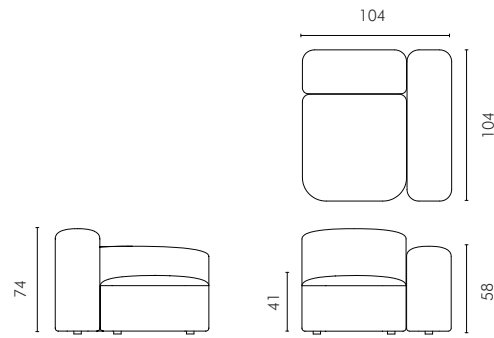
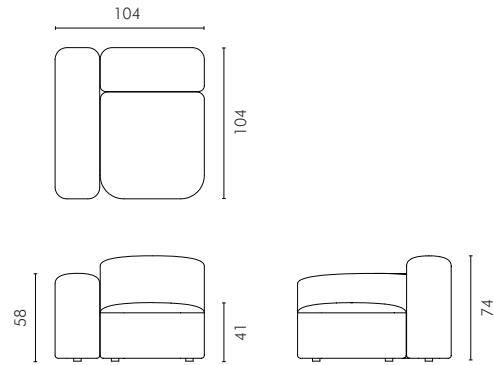
MUSE MODULAR SOFA

LAF & RAF Dimensions W x D x H (cm)

Overall: 104 x 104 x 74 cm
Weight: 26 kg

Arm Height: 58 cm
Back Height: 74 cm
Seat Height: 41 cm
Seat Depth: 65 cm

Number of Cartons : 1
Boxed Dimensions:
Carton 1: 105 x 105 x 76 | 41 kg

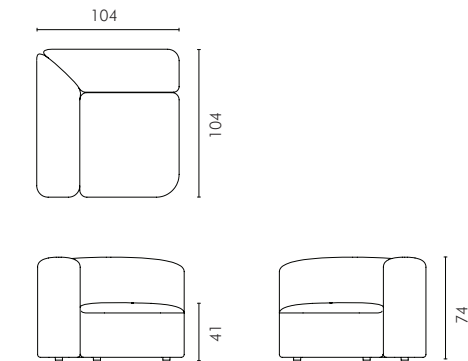


Corner Module (CNR) Dimensions W x D x H (cm)

Overall: 104 x 104 x 74 cm
Weight: 27 kg

Back Height: 74 cm
Seat Height: 41 cm
Seat Depth: 65 cm

Number of Cartons : 1
Boxed Dimensions:
Carton 1: 105 x 105 x 75 | 42.5 kg



Ottoman (OTM) Dimensions W x D x H (cm)

Overall: 74 x 74 x 41 cm
Weight: 9 kg

Number of Cartons : 1
Boxed Dimensions:
Carton 1: 75 x 75 x 43 | 16 kg

