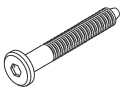

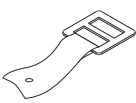
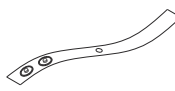
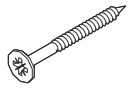
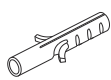
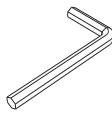

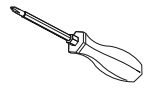
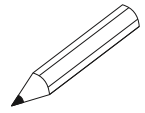


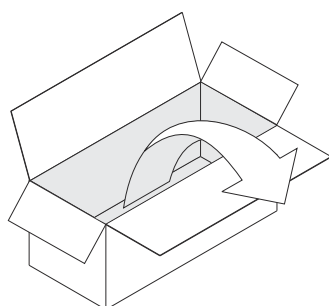
## 100712 MAHOGANY POLISHED IMPERFECT STANDING SHELVES - 5 SHELVES ASSEMBLY INSTRUCTIONS FOR STANDING SHELVES INSTALLATION

### HARDWARE ENCLOSED

 JCBC SCREW M6x40 (12pcs)	 JCBC SCREW M6x15 (8pcs)	 SHORT ANTI-TIP BELT (2pcs)	 LONG ANTI-TIP BELT (2pcs)
 WALL SCREW M4x40 (2pcs)	 WALL PLUG S8x40 (2pcs)		

### TOOLS REQUIRED

 ALLEN KEY (Included in package)	 DRILL (not included in package)
 SCREWDRIVER (not included in package)	 PENCIL (not included in package)

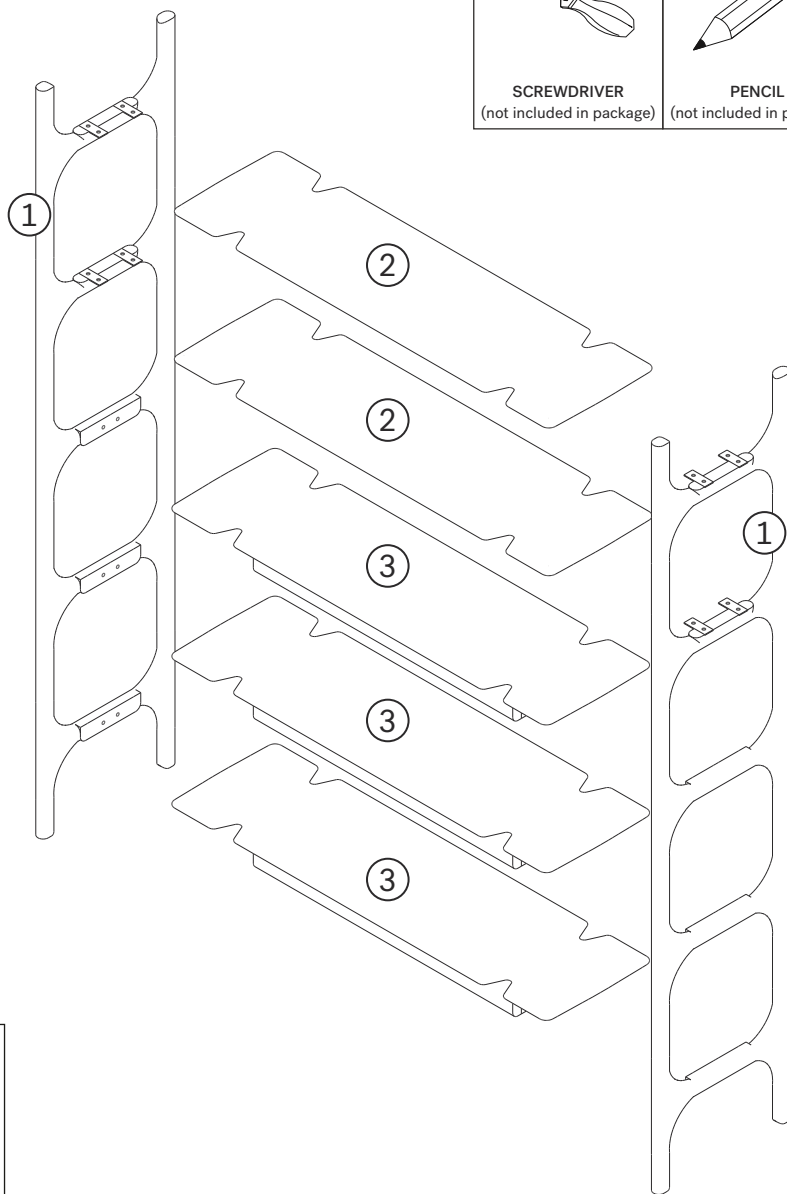


### IN YOUR PACKAGE :


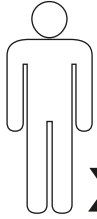
ASSEMBLY INSTRUCTIONS  
HARDWARE (AS LISTED ABOVE)

### PARTS TO BE INSTALLED

1. SHELF SUPPORTS (2 pcs)
2. TOP SHELVES (2 pcs)
3. BOTTOM SHELVES (3 pcs)



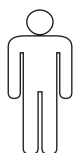
### NOTICE

<input checked="" type="checkbox"/>		 <b>X3</b>
-------------------------------------	---	--

### SYMBOLS



DIRECTION



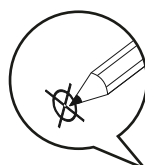
NUMBER OF  
PERSONS NEEDED



USE HAND



USE ALLEN KEY  
TO TIGHTEN



USE PENCIL



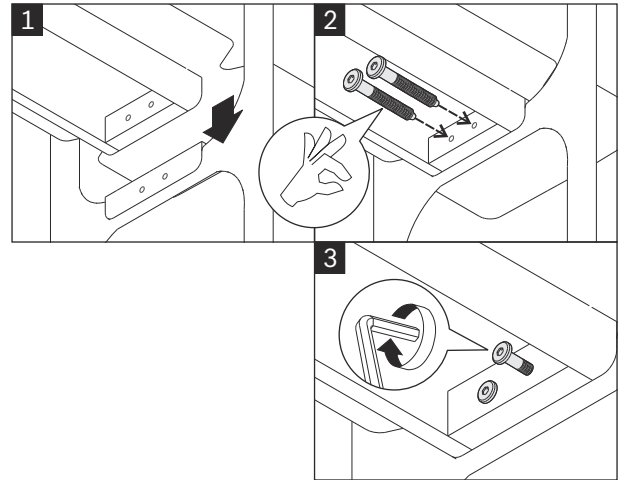
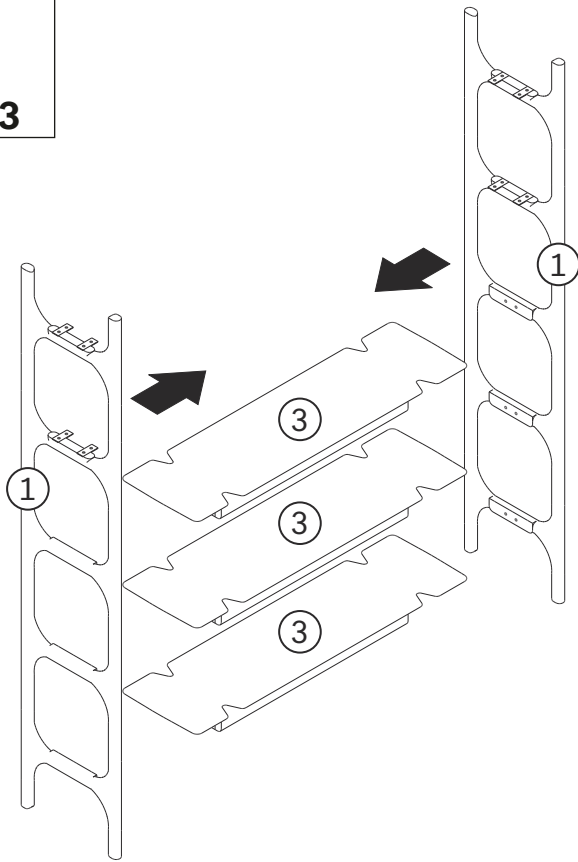
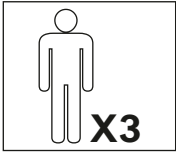
USE DRILL



USE SCREWDRIVER  
TO TIGHTEN

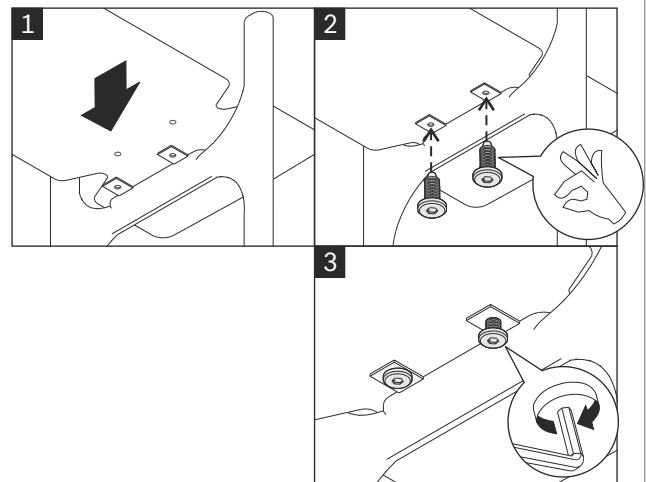
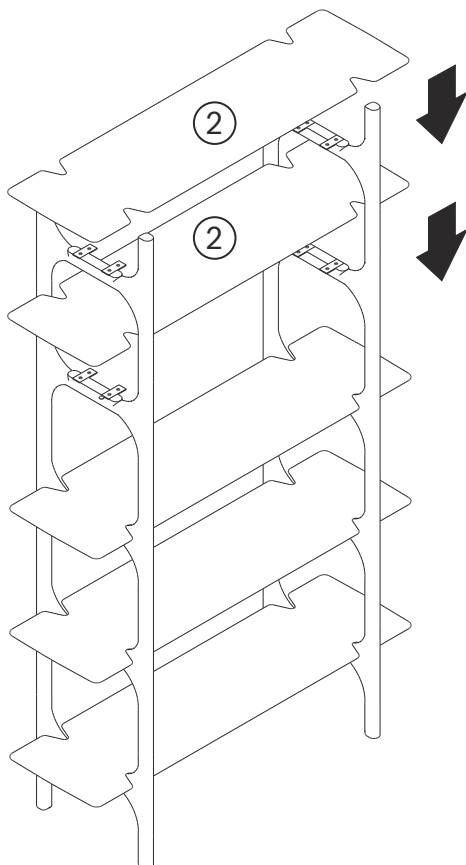
## 100712 MAHOGANY POLISHED IMPERFECT STANDING SHELVES - 5 SHELVES ASSEMBLY INSTRUCTIONS FOR STANDING SHELVES INSTALLATION

### A ATTACHING BOTTOM SHELVES TO SHELF SUPPORTS



- ! - USE JCBC SCREW M6x40 (12X)
- DO NOT TIGHTEN FULLY

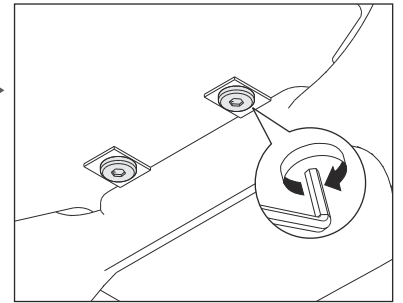
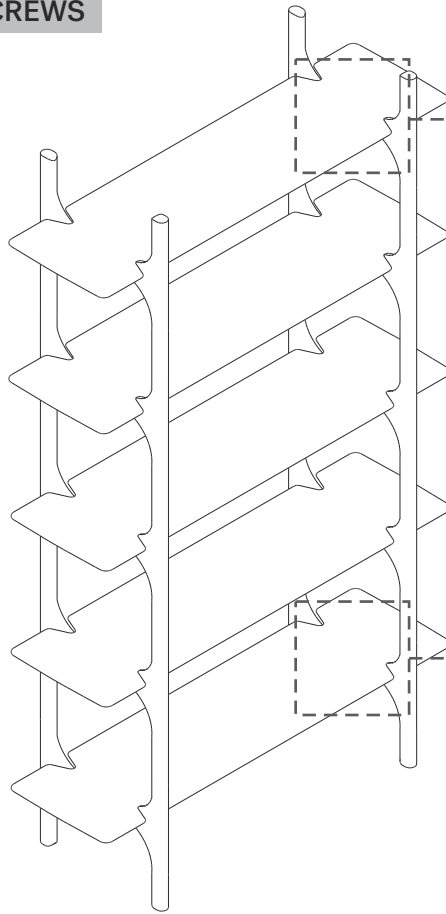
### B ATTACHING TOP SHELVES TO SHELF SUPPORTS



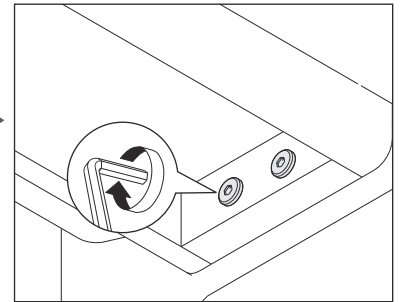
- ! - USE JCBC SCREW M6x15 (8X)
- DO NOT TIGHTEN FULLY

## 100712 MAHOGANY POLISHED IMPERFECT STANDING SHELVES - 5 SHELVES ASSEMBLY INSTRUCTIONS FOR STANDING SHELVES INSTALLATION

### C RE-TIGHTENING ALL SCREWS



**!** TIGHTEN FULLY

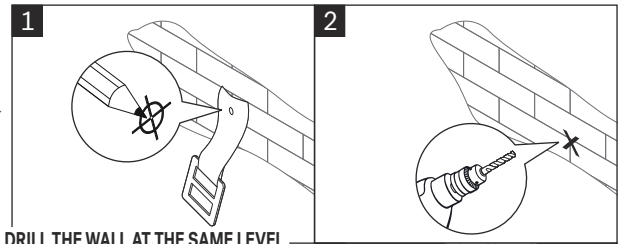
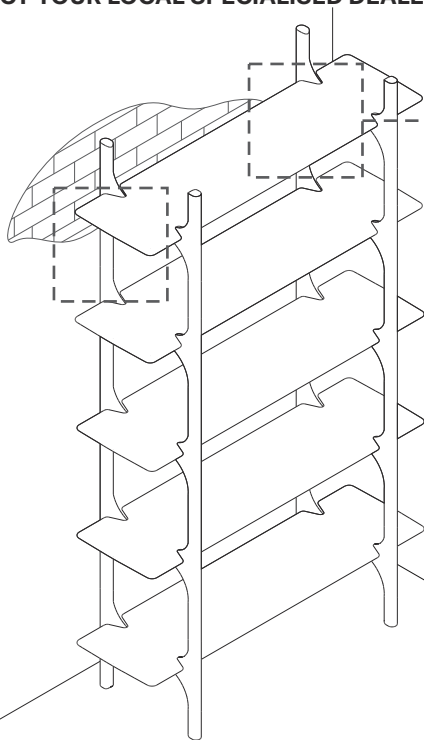


**!** TIGHTEN FULLY

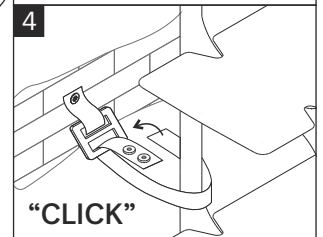
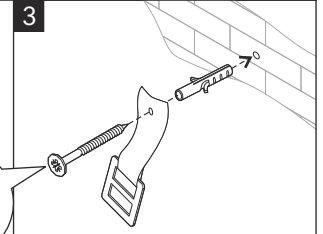
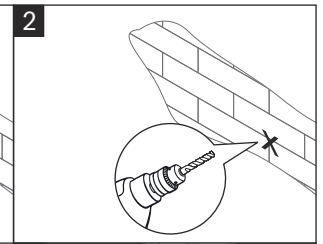
### D INSTALLING ANTI-TIP BELTS



AS WALL MATERIALS VARY,  
THE SCREW INCLUDED ARE FOR BRICK WALL.  
FOR ADVICE ON SUITABLE SCREW SYSTEMS,  
CONTACT YOUR LOCAL SPECIALISED DEALER.



**!** DRILL THE WALL AT THE SAME LEVEL  
AS THE LONG ANTI-TIP BELT THAT WILL  
BE INSTALLED ON ITEM



- USE WALL PLUG S8x40 (2X)
- USE WALL SCREW M4x40 (2X)
- USE SHORT ANTI-TIP BELT (2X)
- USE LONG ANTI-TIP BELT (2X)
- TIGHTEN FULLY