

PRODUCT SPECIFICATIONS

# Myrtle Table Lamp



The Myrtle Lamp features a ceramic base with a tubular silhouette and a geometric tapered linen shade. Its sculptural form is both refined and grounded, offering a quiet statement piece that blends seamlessly into any interior. With its gloss ceramic finish and natural linen texture, the Myrtle creates a warm, ambient glow. It is ideal for bedside tables, living spaces, or reading corners. Thoughtfully designed, it brings balance, softness, and a timeless look to everyday living.

FEATURES & FINISHES

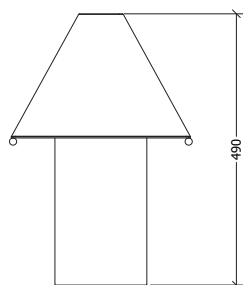
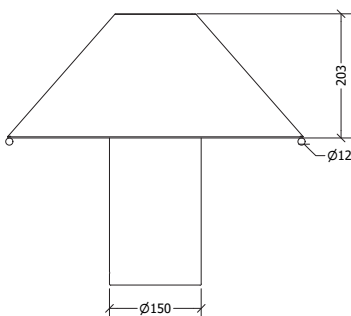
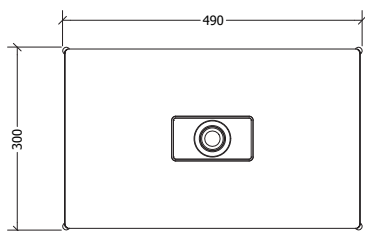
Myrtle features a gloss ceramic base, finished with a linen shade with chrome ball detailing.

ASSEMBLY

Assembly Required.

WARRANTY

12 months



MEASUREMENTS

Dimension: 490W x 300D x 490Hmm  
Weight: 4kg

MATERIALS

Main/Base: Ceramic  
Shade: Linen

COLOUR

01: Cream  
02: Natural

SKU

250616319CRM