

safety first

What about safety? Can I attach my locker to the wall?

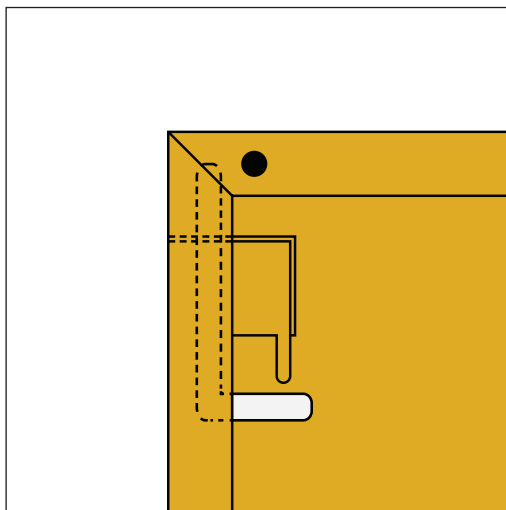
Safety first! Mustard lockers are nice and sturdy, but serious or fatal injury can occur from your locker tipping. To reduce the risk of tipping, we strongly recommend securing your locker to the wall. All Mustard lockers are equipped with slots in the back to enable you to do so.

Please ensure you use the correct fixings for your wall. These are not provided, so please consult a qualified tradesperson if you require advice.

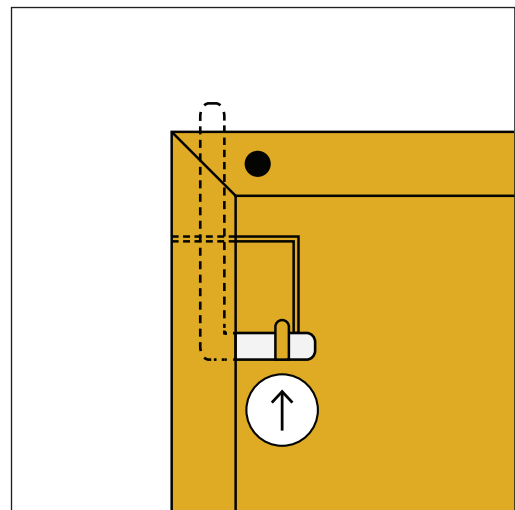
Here are some other handy hints to help avoid accidents:

- Never sit, stand or climb on your locker
- Keep doors closed when not in use
- Avoid placing anything heavy on top of your locker
- Keep heaviest items on the bottom shelves
- At the top of the door, make sure to bend up the little tab to hold the L-shape bracket in place and that will hold the door in place (see diagrams below)

secure the locker door (so it doesn't fall off!)

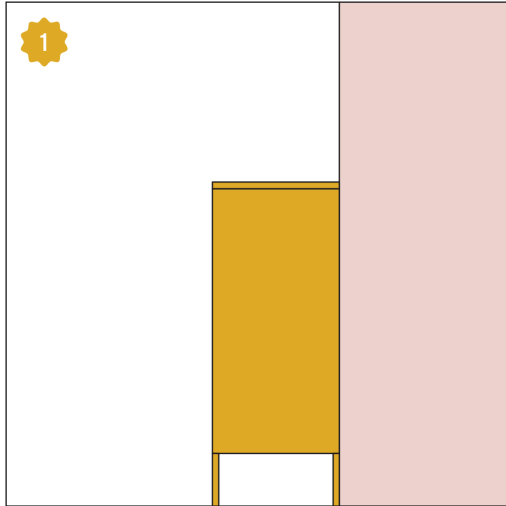


At the top of the door, insert the L shape post up into position through the holes.



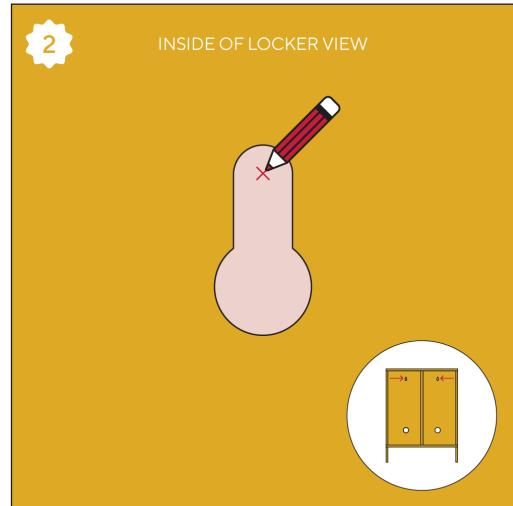
⬆ Push the tab up!
This holds the door in place.

how to secure your locker to the wall (with no skirting boards)



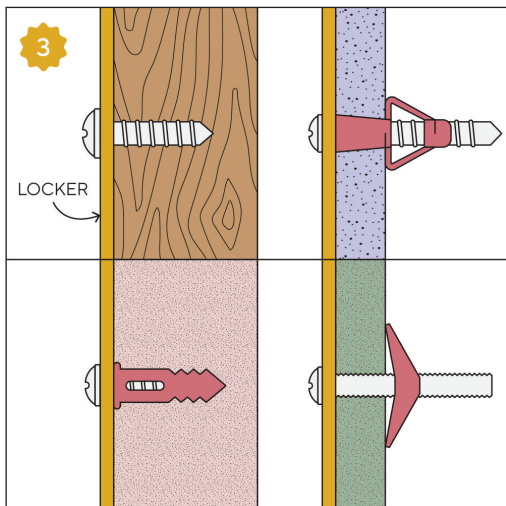
Step 1

Stand your locker flush against the wall in your chosen spot.



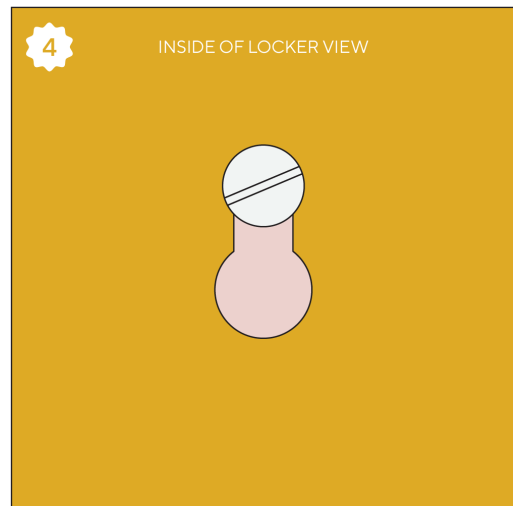
Step 2

From inside your locker, mark the wall at the top of the slots.



Step 3

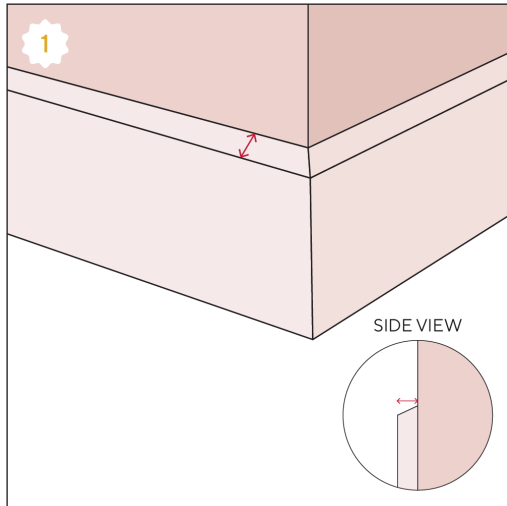
Select the appropriate fixing type for your wall. If you need help, consult a qualified tradesperson for advice.



Step 4

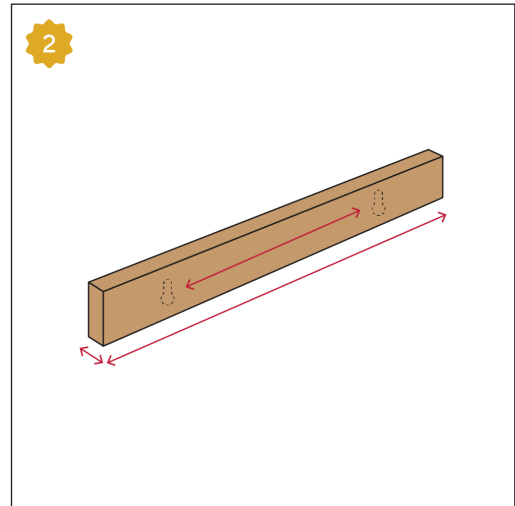
Screw your fixings through the slots. Ta-da! Give yourself a high five.

how to secure your locker to the wall (with skirting boards)



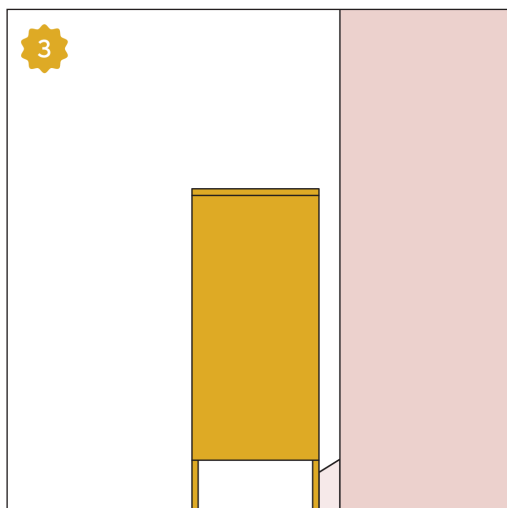
Step 1

Measure the depth of your skirting.



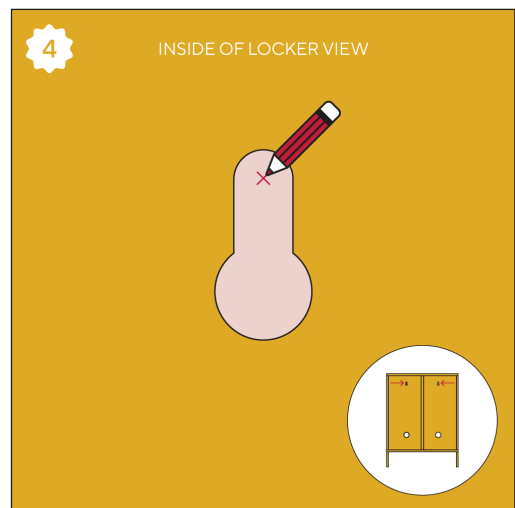
Step 2

Source a piece of timber the same depth as your skirting and wider than the distance between the two slots on your locker.



Step 3

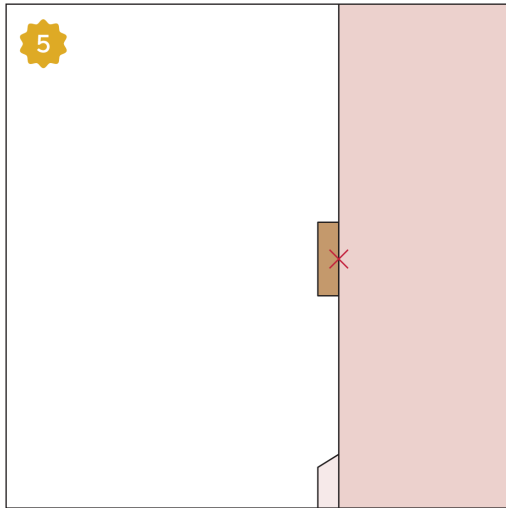
Stand your locker flush against the skirting in your chosen spot.



Step 4

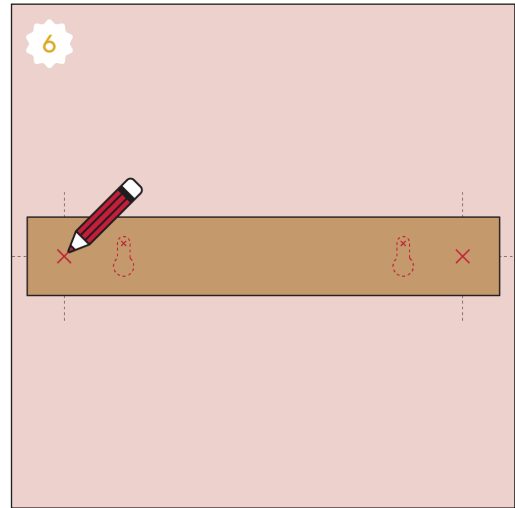
From inside your locker, mark the wall at the top of the slots.

how to secure your locker to the wall (with skirting boards)



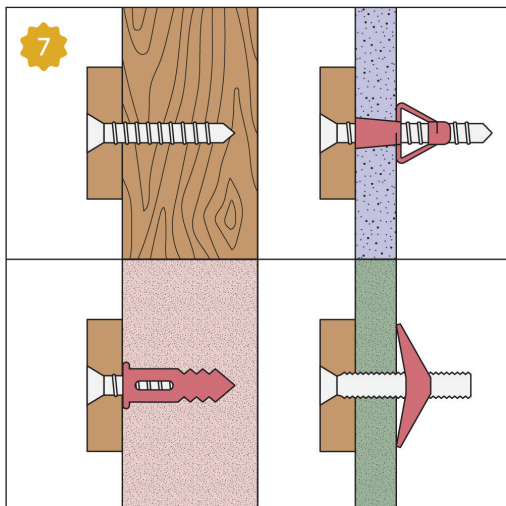
Step 5

Place the timber against your wall, covering the marks.



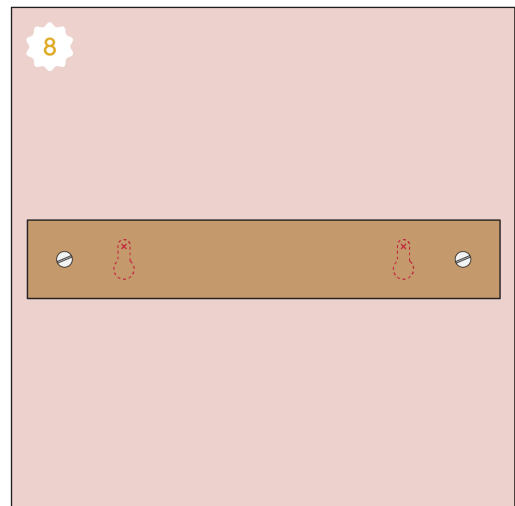
Step 6

Mark the best position for the screws to attach the timber to the wall. You may want to align these to your wall studs.



Step 7

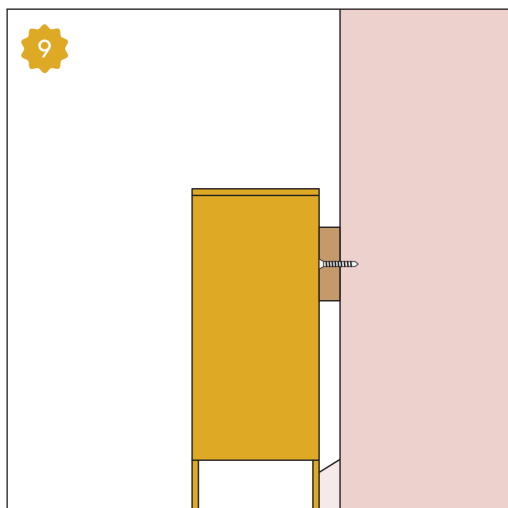
Select the appropriate fixing type for your wall. If you need help, consult a qualified tradesperson for advice.



Step 8

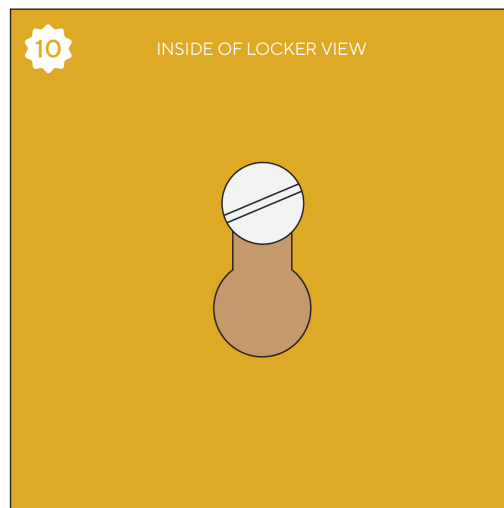
Use these fixings to attach the timber to the wall.

how to secure your locker to the wall (with skirting boards)



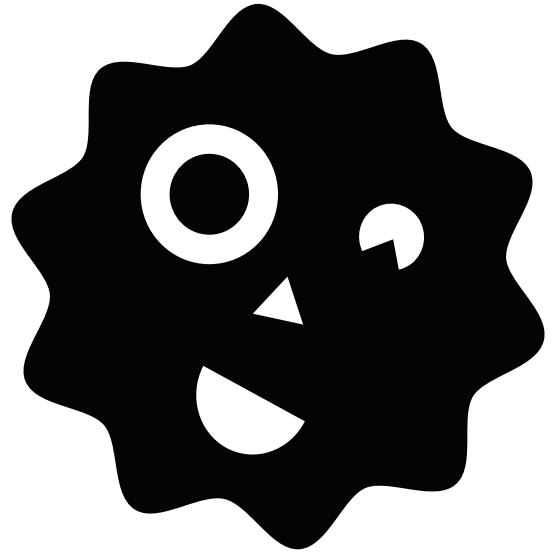
Step 9

Place your locker flush against the timber in your chosen spot.



Step 10

Screw your fixings through the slots into the timber. Ta-da! Give yourself a high five.



you got this!



Watch our helpful how-to videos where
we take you through the build step by step.
Need help? help@mustardmade.com

Love your locker? Share it!
[@mustardmade](#) [#mustardmade](#)



How to build

The Mixer

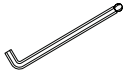
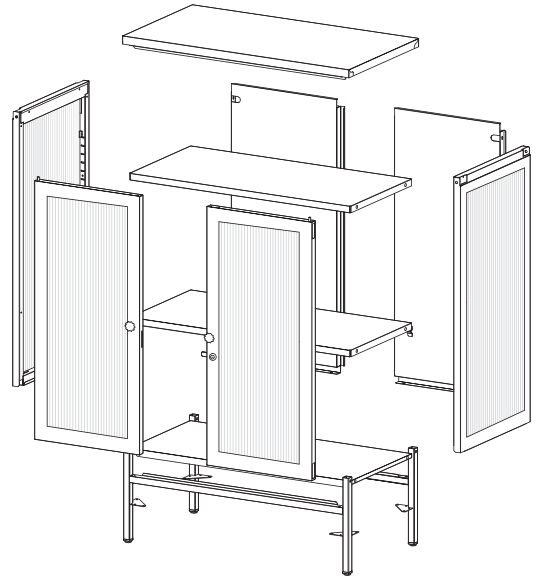
Your glass locker is ready to shine! We're here to take you through the build step by step. You'll be admiring your beautiful new Mixer very soon, so get ready, let's do this!



Watch our helpful how-to videos where we take you through the build step by step.



Learn more about securely attaching the product to the wall using the correct fittings (not provided).



1 x hex key



30 x hex screws



2 x bolt screws



2 x handle screws



4 x corner brackets



2 x wall brackets



8 x shelf brackets



1 x door bolt



2 x handles



1 x set of keys



1 x keyring



2 x posts



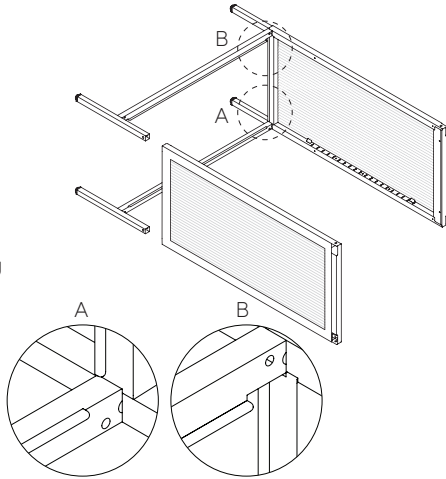
2 x large washers



2 x small washers

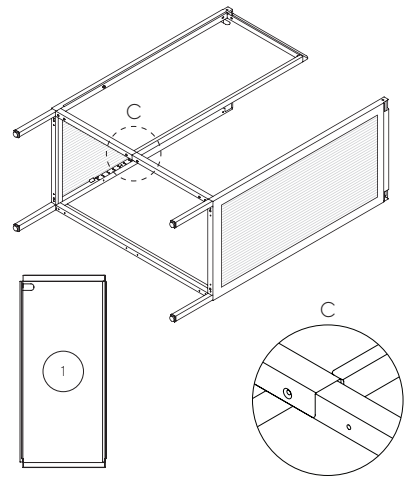
1

Slide the side panels onto the legs. Make sure the folded lip on each leg is facing inwards.



2

Place back panel 1 onto the leg frame + side panel. You'll need a helper to support the panel at the top.

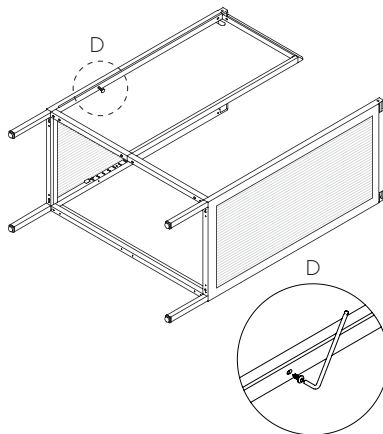


3

Grab your hex key!

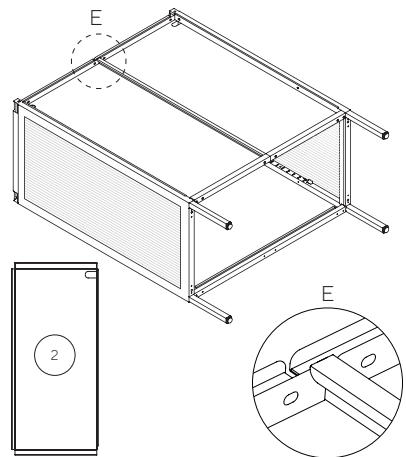
Screw back panel 1 to the side panel at the bottom hole only.

1 x 



4

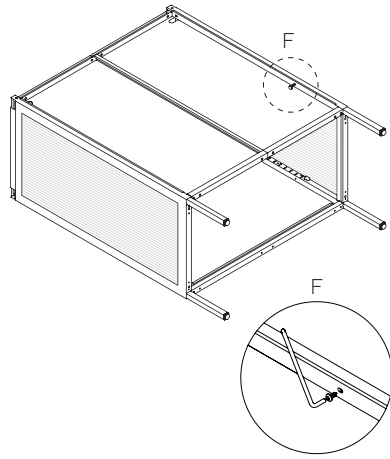
Place back panel 2 on, hooking over the other back panel.



5

Screw back panel 2 to the side panel at the bottom hole only.

1 x 

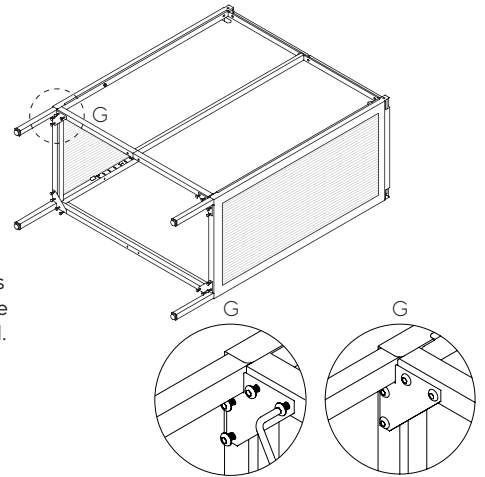


6

Loosely attach the corner brackets around the leg with all 4 screws.

Once all 4 screws are aligned, these can be tightened.

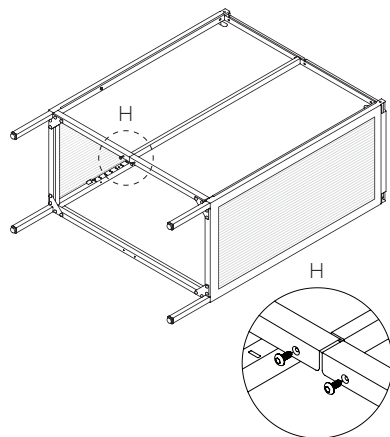
16 x 



7

Screw the back panels to the leg frame with 2 screws at the bottom.

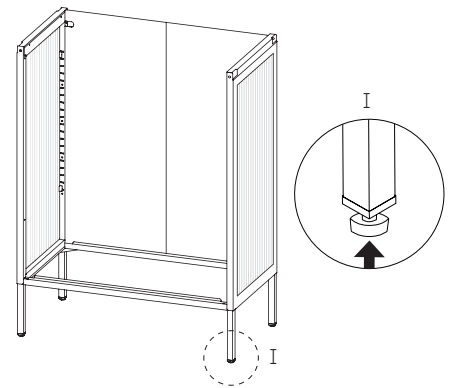
2 x 



8

Make sure the adjustable feet are tightened all the way in. Adjust the level at the end if you need to.

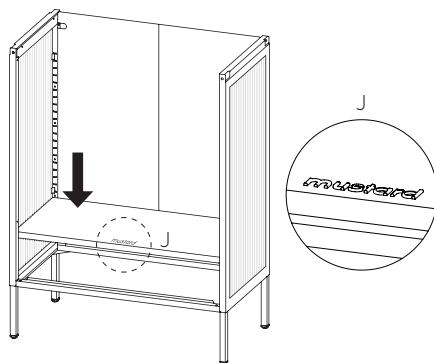
Carefully stand the locker upright. Take extra care of the back panels.



9

Add the base panel, starting at the back.

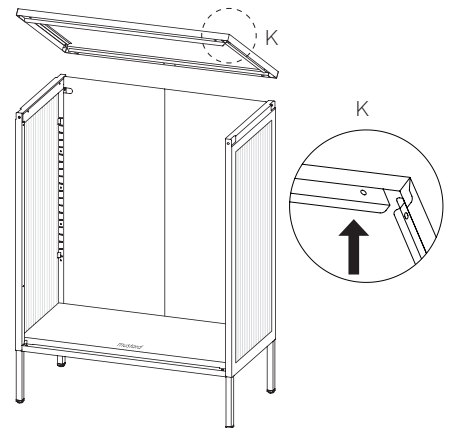
The 'Mustard' logo goes at the front.



10

Starting at the back, place the top panel on. The lip goes at the front.

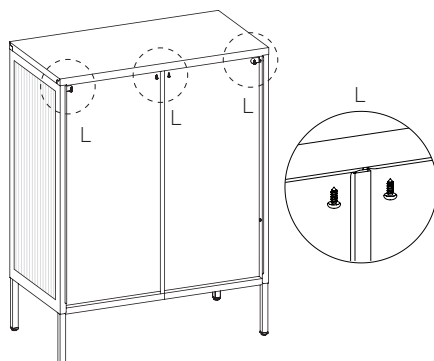
Check that the sides + back panels are slotted in correctly. Push the top panel in place.



11

Screw the back panels to the top.

4 x 

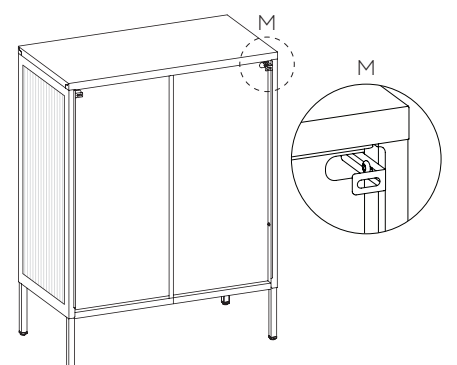


12

Attach the wall brackets to the locker.

Screw through the wall bracket to attach them to the locker.

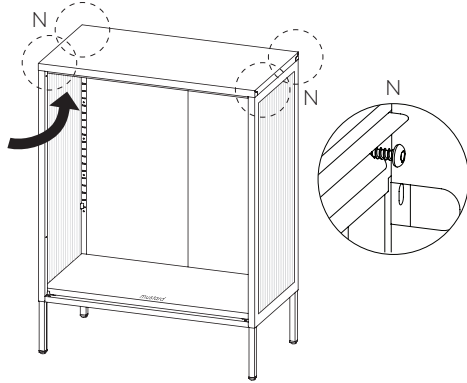
2 x 



13

Screw both the side panels to the top from the inside.

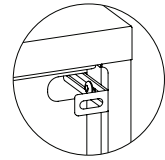
4 x 



14

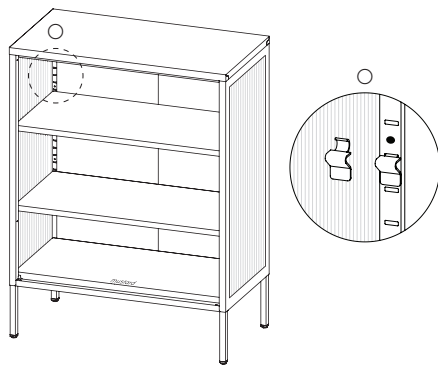
Now it's time to secure the locker to the wall! Adjust the position of the wall brackets to secure the locker to the wall.

Please ensure you use the correct fixings for your wall. These are not provided so if you're unsure, consult a qualified tradesperson for advice. Scan the QR code to learn more about securely attaching the product to the wall.




15

Once your locker is attached to the wall, add the brackets + place the shelves on top. Use the dots to help space the shelves.

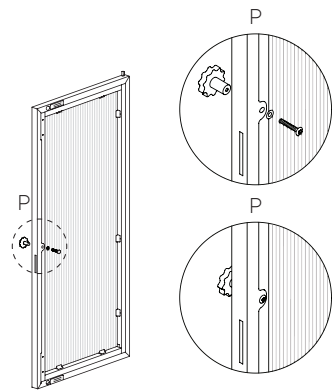


16

 **Grab your screwdriver!**

Use your screwdriver to attach the handles, using the long handle screws + small washers.

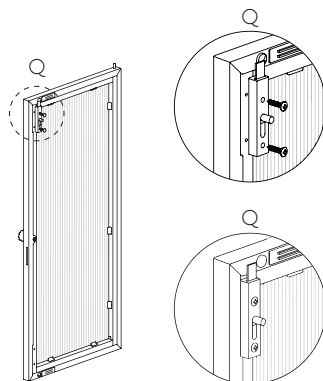
2 x 



17

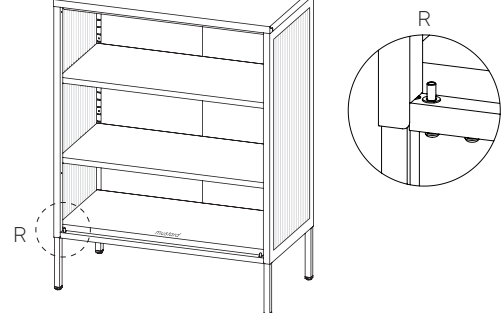
Use your screwdriver to attach the door bolt using the two bolt screws. The door bolt goes on the left door.

2 x 



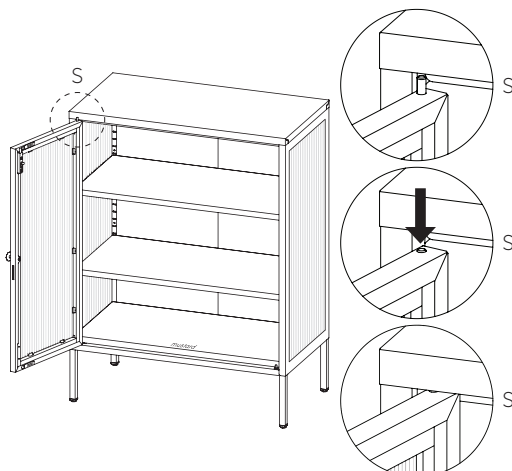
18

Insert the post + large washer into the hole in the leg.



19

Slide the doors down onto the bottom posts. Push down the spring posts at the top + click into place.



20

Nice work!
That Mixer met her perfect match in you!



P.S pop the spare key in a safe spot just in case!

