

SARAH ELLISON.



OLLIE

Assembly

Fully Assembled

Warranty

We offer a 1 year Homewares product warranty against defects. This does not cover general wear and tear, or accidental breakage post-delivery.

Construction

Australian Clay

MILLY DENT X SE.

With a focus on sustainability and slow living, Milly Dent Studio creates durable and long-lasting objects designed to be admired, share and reused – never replaced.

Using small-scale production methods, the studio ensures each piece is carefully considered and handmade using Australian Stoneware Clay.

Catchall Dimensions W x D x H (cm)

Overall: 12 x 23 x 4.8 cm

Number of Cartons : 1
Carton Content: Vessel

Carton 1: 27 x 16 x 10cm

Colour, size and glaze variations are to be expected due to the handmade nature of the product.

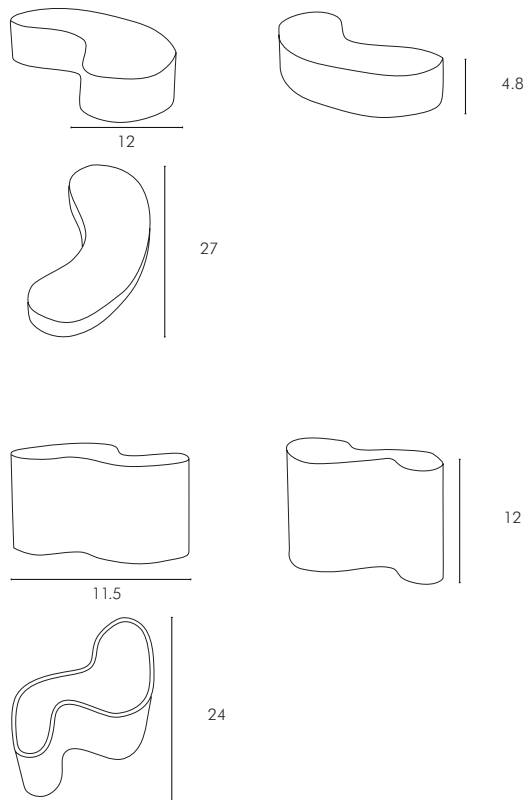
Small Vessel Dimensions W x D x H (cm)

Overall: 11.5 x 24 x 12 cm

Number of Cartons : 1
Carton Content: Vessel

Carton 1: 29 x 17 x 17cm

Colour, size and glaze variations are to be expected due to the handmade nature of the product.



dimensions provided are approximate only and manufacturing tolerances apply.

SARAH ELLISON.

PRODUCT NAME

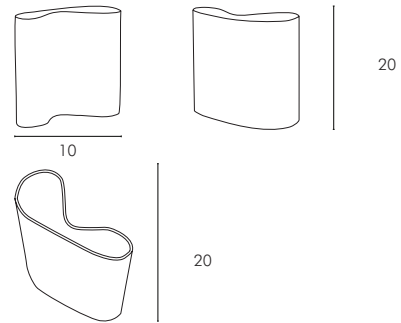
Medium Vessel Dimensions W x D x H (cm)

Overall: 10 x 20 x 20 cm

Number of Cartons : 1
Carton Content: Vessel

Carton 1: 26 x 14 x 25cm

Colour , size and glaze variations are to be expected due to the handmade nature of the product.



Large Vessel Dimensions W x D x H (cm)

Overall: 21 x 21 x 20 cm

Number of Cartons : 1
Carton Content: Vessel

Carton 1: 29 x 26 x 37cm

Colour , size and glaze variations are to be expected due to the handmade nature of the product.

