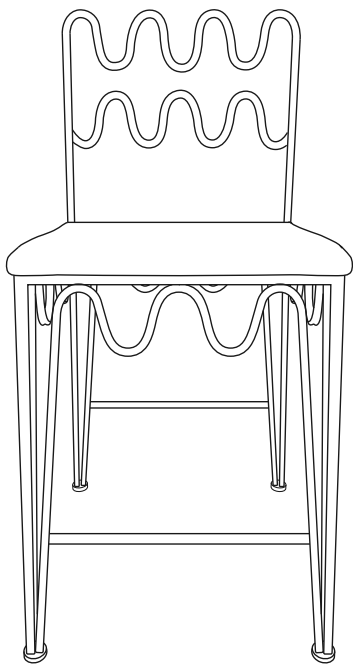


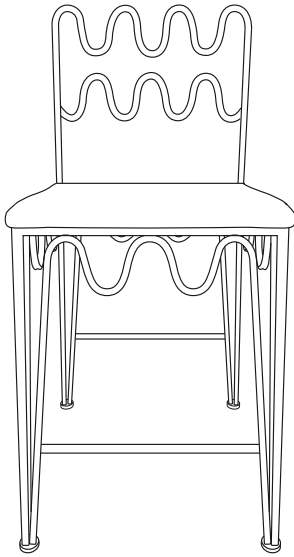
RACHEL DONATH



WAVE COUNTER STOOL

WAVE COUNTER STOOL

Thank you for purchasing the Rachel Donath Wave Counter Stool. This guide outlines the items you'll find in your delivery. It's essential to inspect the hardware and each component of the product carefully as you unbox and get ready for assembly. To prevent any damage, make sure to place the items on a carpeted or padded surface while unpacking.



HARDWARE

None

TOOLS REQUIRED

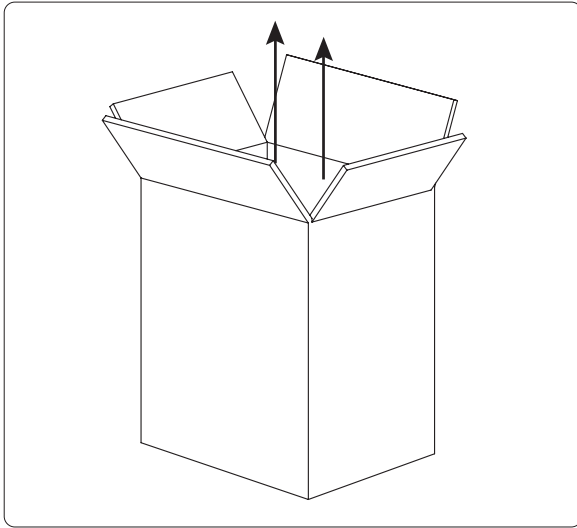
None

PEOPLE REQUIRED FOR ASSEMBLY

1 Person

ESTIMATED TIME OF ASSEMBLY

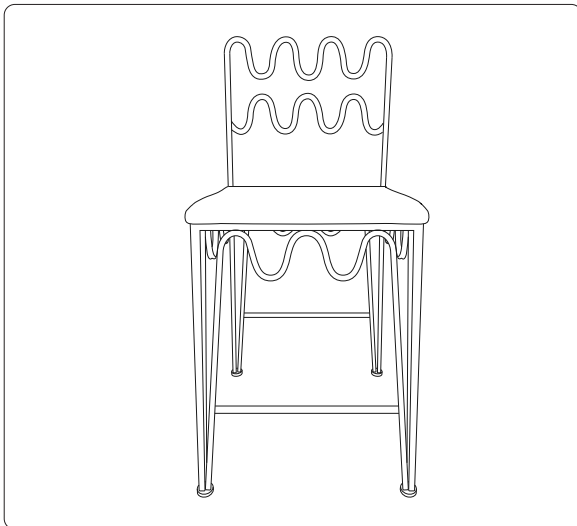
10 Minutes



STEP 1:

Open box carefully, ensuring the blade of the knife does not come into contact with the product.

Remove packaging and lift the product up out of box and gently place on ground.



STEP 2:

Position in your room, and don't forget to recycle the packaging where possible

CARE INSTRUCTIONS

Taking a little extra care can significantly extend the lifespan of your furniture. The information below serves as a general guideline, and is to be used for optimal durability of your Rachel Donath furniture.

1. Metal Care: Although resistant to rust, powdercoated metals will oxidize if the coating is chipped, scratched or exposed to harsh chemicals and UV rays over time. Do not use harsh solvent-based, abrasive or stainless steel cleaners. These will accelerate staining, fading and ultimate failure of the powdercoated finish. We recommend using a mild soap product.

2. Upholstery Care: Maintaining your upholstery requires specific care techniques. Utilize the upholstery attachment and crevice tool of your vacuum during weekly cleaning sessions to effectively eliminate loose particles. For a comprehensive cleaning approach, rely on professional upholstery cleaning services periodically—this is the recommended method for ensuring the longevity of your upholstery.

Prevent potential ink bleeding by refraining from leaving newspapers or printed materials on the upholstery. Exercise caution when using household chemicals and commercial products in proximity to the upholstery. Protect your furniture from direct sunlight, as exposure can lead to fading over time.

By following these instructions, you can ensure the longevity and beauty of your Rachel Donath furniture.

CUSTOMER SERVICE

For Australian customer service contact :
info@racheldonath.com

RACHEL DONATH