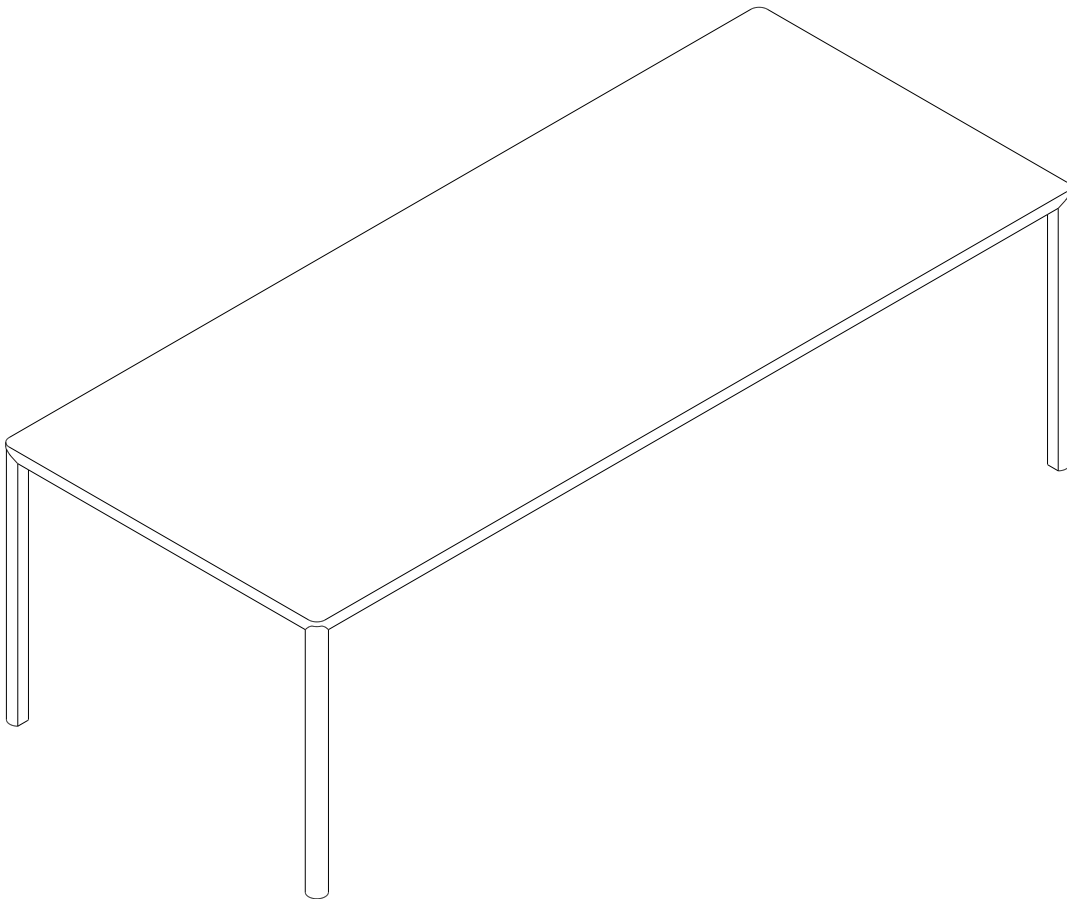


Ethnicraft

ASSEMBLY INSTRUCTIONS FOR AIR TABLE INSTALLATION

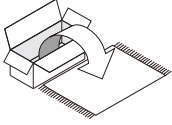
OAK AIR DINING TABLE

CODE	DESCRIPTION
50256-U	OAK AIR DINING TABLE 140/80/76
50257-U	OAK AIR DINING TABLE 160/80/76
50258-U	OAK AIR DINING TABLE 180/90/76
50259-U	OAK AIR DINING TABLE 200/95/76
50260-U	OAK AIR DINING TABLE 220/95/76
50261-U	OAK AIR DINING TABLE 240/100/76



OAK AIR DINING TABLE ASSEMBLY INSTRUCTIONS FOR DINING TABLE INSTALLATION

NOTE



- CAREFULLY OPEN THE CARTON,
- REMOVE CONTENTS AND LAY OUT ON CARPET OR THE PACKAGING CARTON BOX OR OTHER PROTECTIVE SURFACE TO AVOID DAMAGE.
- CHECK PACKAGE CONTENTS TO ASSURE ALL THE NECESSARY HARDWARE AND PARTS ARE RECEIVED UNDAMAGED.
- DO NOT USE DAMAGE OR DEFECTIVE PARTS/HARDWARE.
- CONTACT ETHNICRAFT FOR ANY MISSING PART AND /OR HARDWARE.

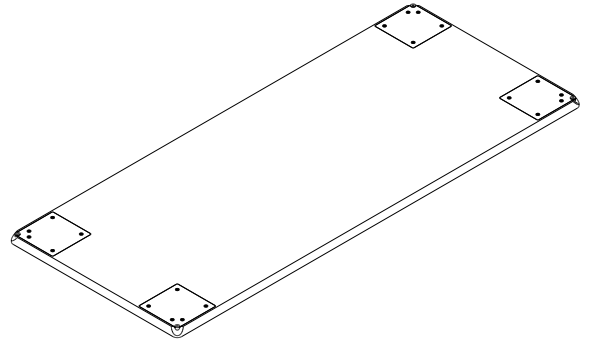


- READ THE ASSEMBLY INSTRUCTION BEFORE INSTALLATION AND CAREFULLY FOLLOW THE INSTRUCTION GIVEN.
- SEEK THE ADVICE OF A PROFESSIONAL IF YOU ARE NOT FAMILIAR WITH THESE INSTALLATIONS OR HAVE ANY DOUBTS ABOUT THE SAFETY OF THIS INSTALLATION.



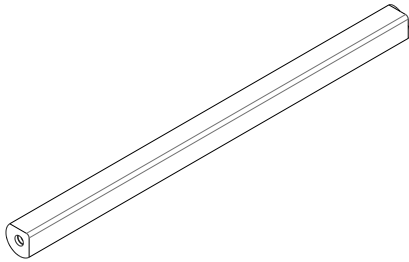
- IT IS ADVISABLE TO DO THIS ASSEMBLY WITH MINIMUM OF 2 PERSONS.

PARTS TO ASSEMBLE



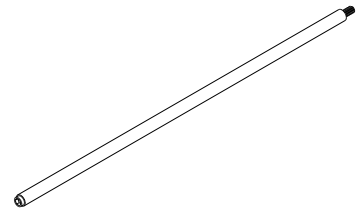
A TABLE TOP 1piece

CODE	DESCRIPTION
P4785	TABLE TOP 140x80
P4786	TABLE TOP 160x80
P4787	TABLE TOP 180x90
P4788	TABLE TOP 200x95
P4789	TABLE TOP 220x95
P4790	TABLE TOP 240x100



B WOODEN LEG (INTERCHANGEABLE) 4pieces

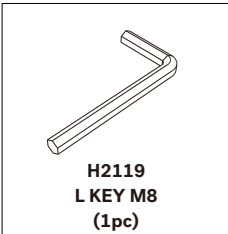
CODE	DESCRIPTION
P4791	WOODEN LEG



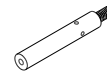
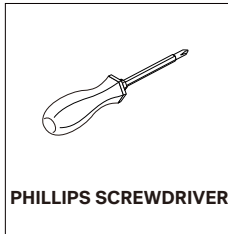
C LONG SCREW (INTERCHANGEABLE) 4pieces

CODE	DESCRIPTION
H2131	LONG SCREW

TOOL (Included in packaged)



TOOL (Not included in packaged)



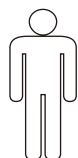
D METAL INSERT (INTERCHANGEABLE) 4pieces

CODE	DESCRIPTION
H2130	METAL INSERT

SYMBOLS



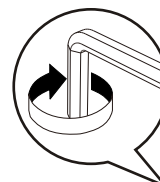
DIRECTION



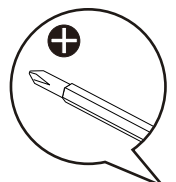
NUMBER OF
PERSONS NEEDED



USE HAND



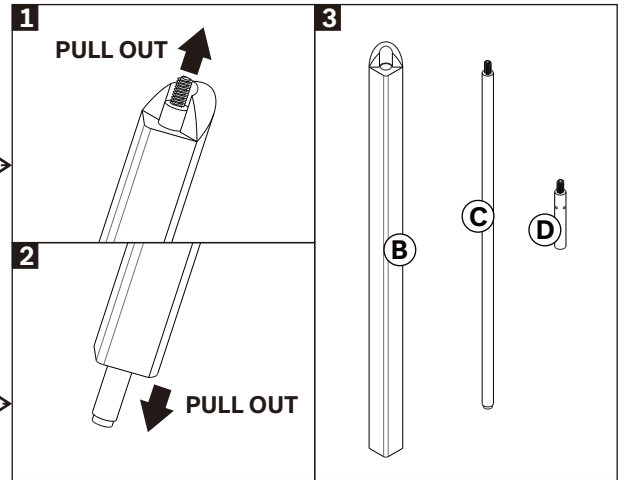
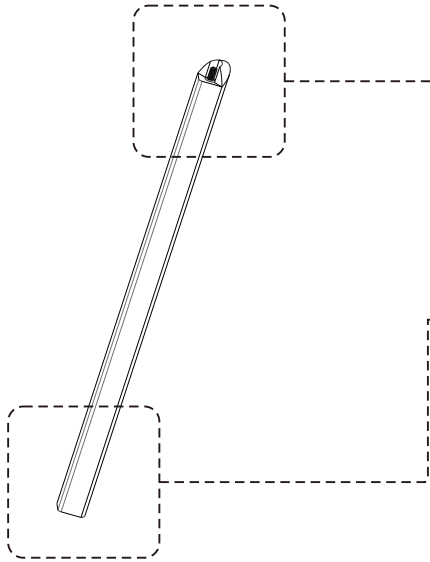
USE L KEY
TO TIGHTEN



USE PHILLIPS SCREWDRIVER
TO TIGHTEN

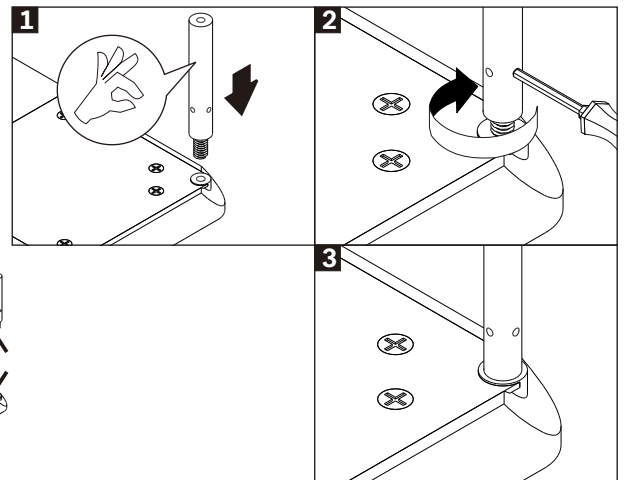
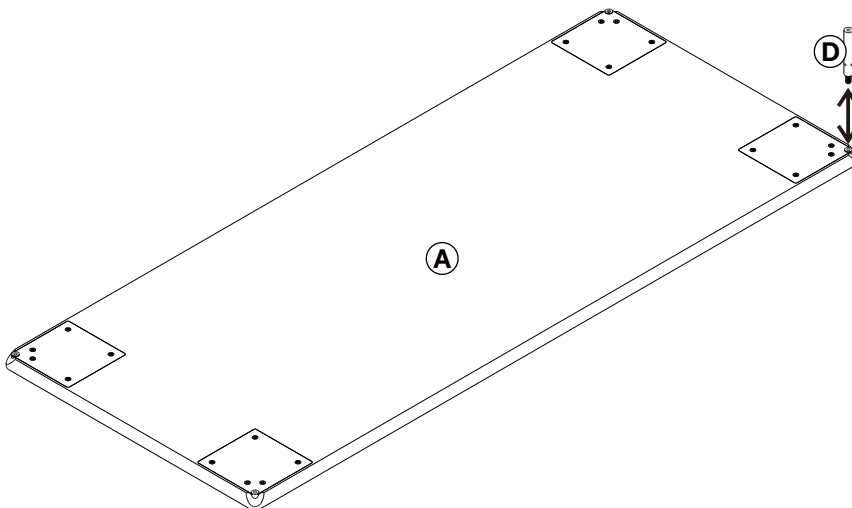
OAK AIR DINING TABLE ASSEMBLY INSTRUCTIONS FOR DINING TABLE INSTALLATION

A. RELEASE METAL INSERT & LONG SCREW



- ! - SEPARATED ALL PARTS
- REPEAT THOSE STEPS FOR OTHER LEGS

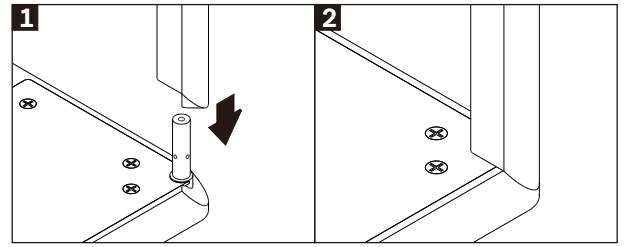
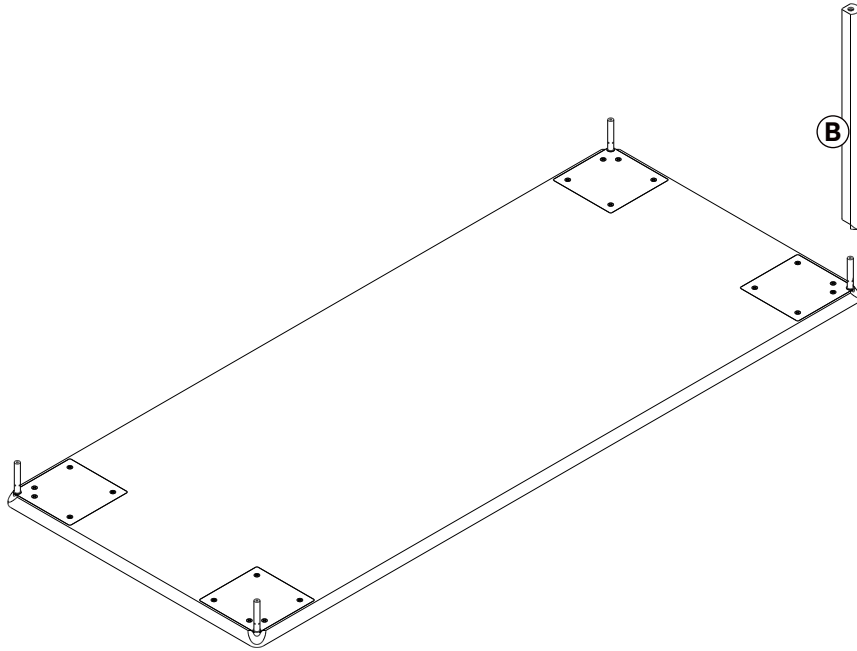
B. CONNECTING METAL INSERT TO TOP PANEL



- ! - TIGHTEN FULLY
- REPEAT THOSE STEPS FOR OTHER PARTS

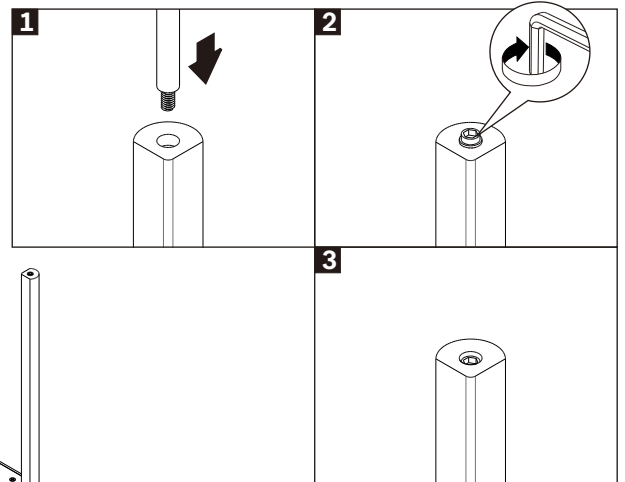
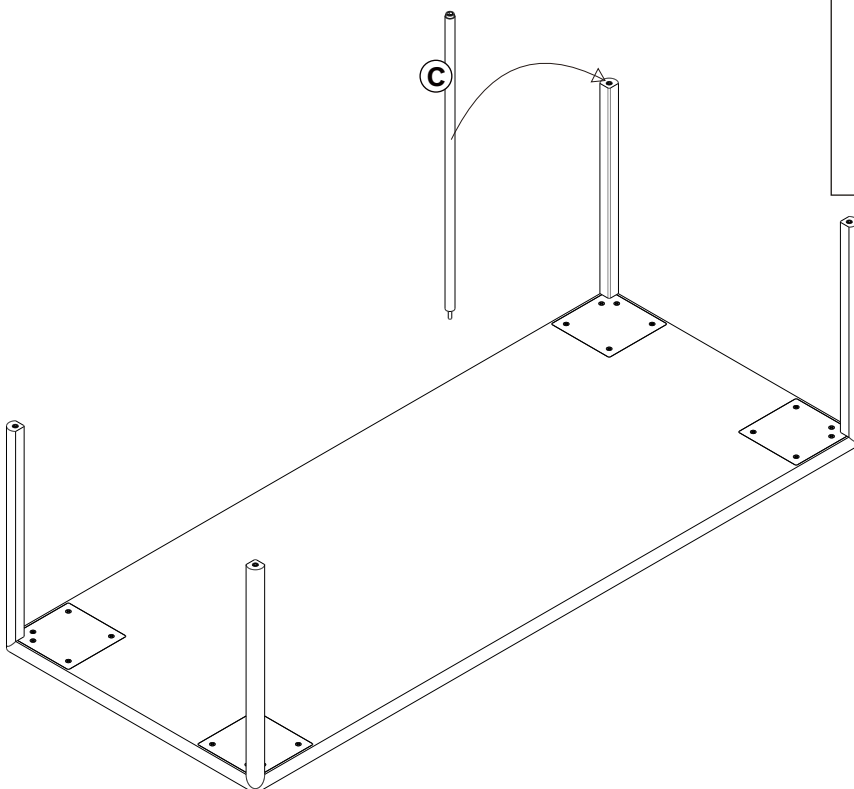
OAK AIR DINING TABLE ASSEMBLY INSTRUCTIONS FOR DINING TABLE INSTALLATION

C. CONNECTING WOODEN LEG TO METAL INSERT



 - REPEAT THOSE STEPS FOR OTHER PARTS

D. INSTALLING LONG SCREW



 - TIGHTEN FULLY
- REPEAT THOSE STEPS FOR OTHER PARTS