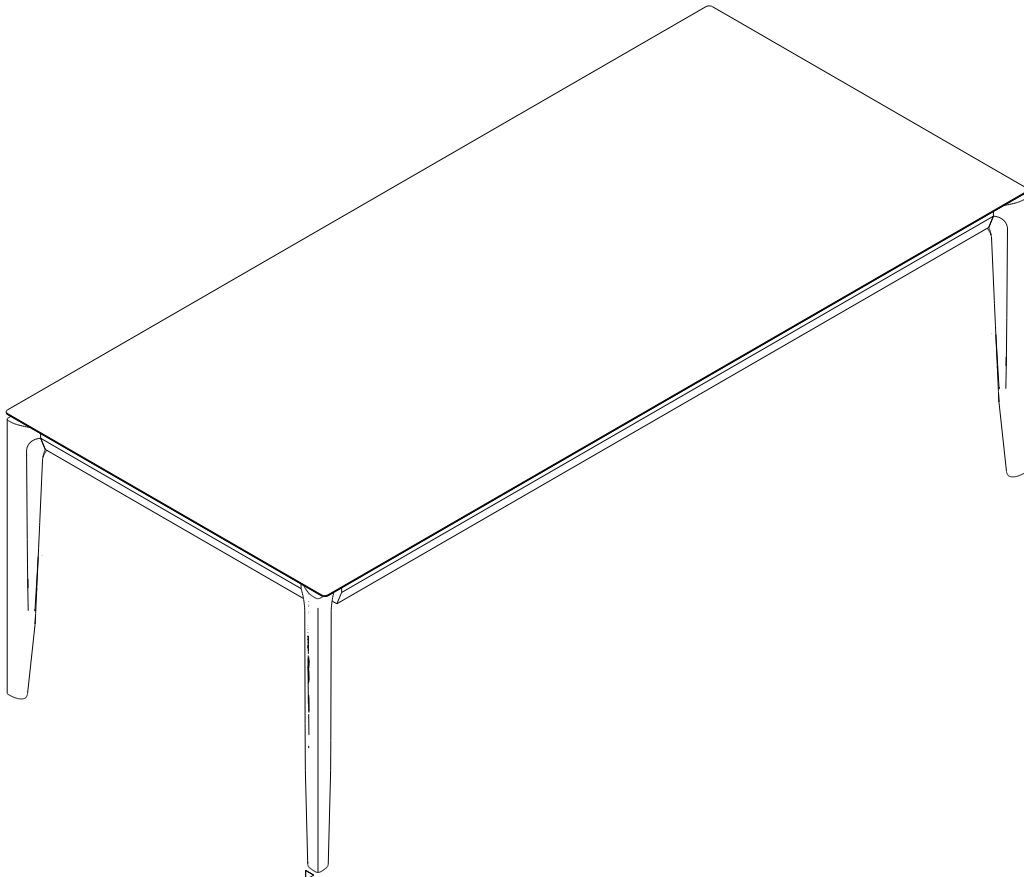


Ethnicraft

ASSEMBLY INSTRUCTIONS FOR TABLE INSTALLATION

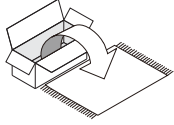
OAK BOK DINING TABLE

CODE	DESCRIPTION
NATURAL FINISHING	
51495	OAK BOK DINING TABLE 160/80/76
51496	OAK BOK DINING TABLE 180/90/76
51497	OAK BOK DINING TABLE 200/95/76
51498	OAK BOK DINING TABLE 220/95/76
51499	OAK BOK DINING TABLE 240/100/76
51500	OAK BOK DINING TABLE 140/80/76
BLACK FINISHING	
51505	OAK BOK BLACK DINING TABLE 160/80/76
51506	OAK BOK BLACK DINING TABLE 180/90/76
51507	OAK BOK BLACK DINING TABLE 200/95/76
51508	OAK BOK BLACK DINING TABLE 220/95/76
51509	OAK BOK BLACK DINING TABLE 240/100/76
51511	OAK BOK BLACK DINING TABLE 140/80/76
BROWN FINISHING	
51555	OAK BOK BROWN DINING TABLE 140/80/76
51556	OAK BOK BROWN DINING TABLE 160/80/76
51557	OAK BOK BROWN DINING TABLE 180/90/76
51558	OAK BOK BROWN DINING TABLE 200/95/76
51559	OAK BOK BROWN DINING TABLE 220/95/76
51560	OAK BOK BROWN DINING TABLE 240/100/76



OAK BOK DINING TABLE ASSEMBLY INSTRUCTIONS FOR DINING TABLE INSTALLATION

NOTE



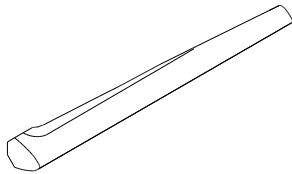
- CAREFULLY OPEN THE CARTON,
- REMOVE CONTENTS AND LAY OUT ON CARPET OR THE PACKAGING CARTON BOX OR OTHER PROTECTIVE SURFACE TO AVOID DAMAGE.
- CHECK PACKAGE CONTENTS TO ASSURE ALL THE NECESSARY HARDWARE AND PARTS ARE RECEIVED UNDAMAGED.
- DO NOT USE DAMAGE OR DEFECTIVE PARTS/HARDWARE.
- CONTACT ETHNICRAFT FOR ANY MISSING PART AND /OR HARDWARE.



- READ THE ASSEMBLY INSTRUCTION BEFORE INSTALLATION AND CAREFULLY FOLLOW THE INSTRUCTION GIVEN.
- SEEK THE ADVICE OF A PROFESSIONAL IF YOU ARE NOT FAMILIAR WITH THESE INSTALLATIONS OR HAVE ANY DOUBTS ABOUT THE SAFETY OF THIS INSTALLATION.



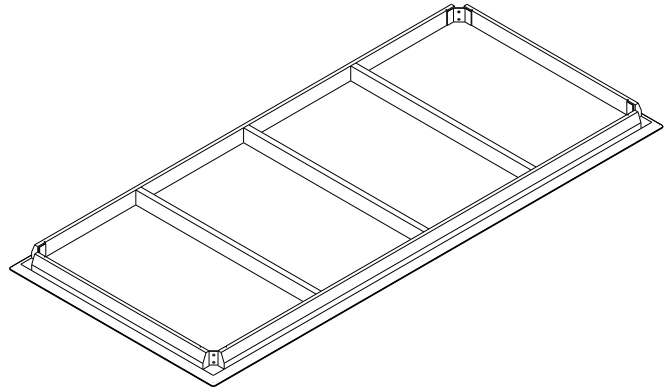
- IT IS ADVISABLE TO DO THIS ASSEMBLY WITH MINIMUM OF 2 PERSONS.



(B) LEG 4 pieces

CODE	DESCRIPTION
NATURAL FINISHING	
P4678	LEG FOR 80, 90, 95 DEPTH
P4651	LEG FOR 100 DEPTH
BLACK FINISHING	
P4685	LEG - BLACK FOR 80, 90, 95 DEPTH
P4691	LEG - BLACK FOR 100 DEPTH
BROWN FINISHING	
P4800	LEG - BROWN FOR 80, 90, 95 DEPTH
P4801	LEG - BROWN FOR 100 DEPTH

PARTS TO ASSEMBLE



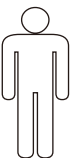
(A) TABLE TOP 1piece

CODE	DESCRIPTION
NATURAL FINISHING	
P4680	TABLE TOP 160x80
P4681	TABLE TOP 180x90
P4471	TABLE TOP 200x95
P4682	TABLE TOP 220x95
P4683	TABLE TOP 240x100
P4679	TABLE TOP 140x80
BLACK FINISHING	
P4687	TABLE TOP - BLACK 160x80
P4555	TABLE TOP - BLACK 180x90
P4688	TABLE TOP - BLACK 200x95
P4689	TABLE TOP - BLACK 220x95
P4690	TABLE TOP - BLACK 240x100
P4686	TABLE TOP - BLACK 140x80
BROWN FINISHING	
P4794	TABLE TOP - BROWN 140x80
P4795	TABLE TOP - BROWN 160x80
P4796	TABLE TOP - BROWN 180x90
P4797	TABLE TOP - BROWN 200x95
P4798	TABLE TOP - BROWN 220x95
P4799	TABLE TOP - BROWN 240x100

SYMBOLS

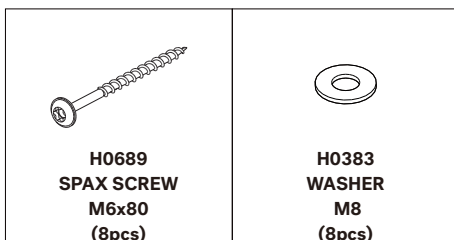


DIRECTION



NUMBER OF PERSONS NEEDED

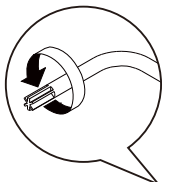
HARDWARE ENCLOSED



TOOL (Included in packaged)



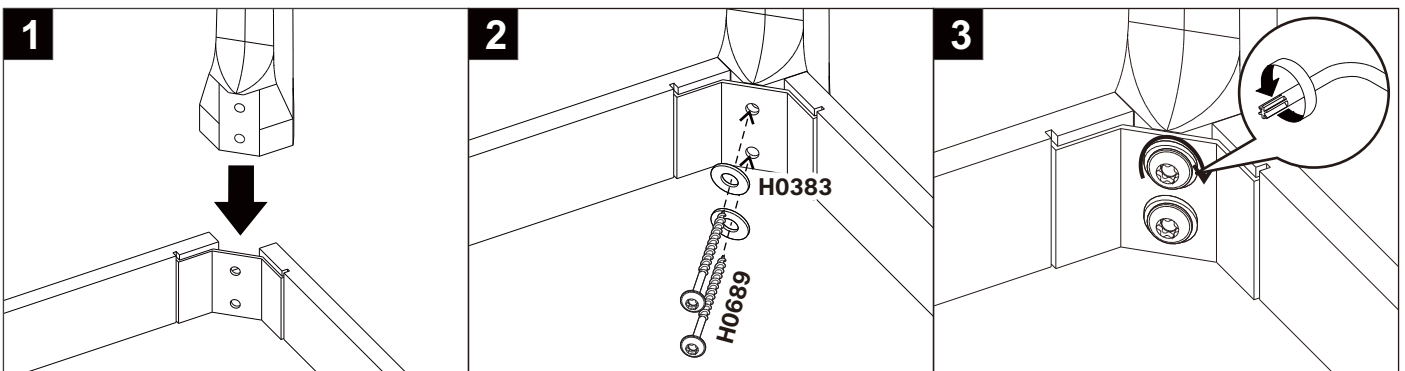
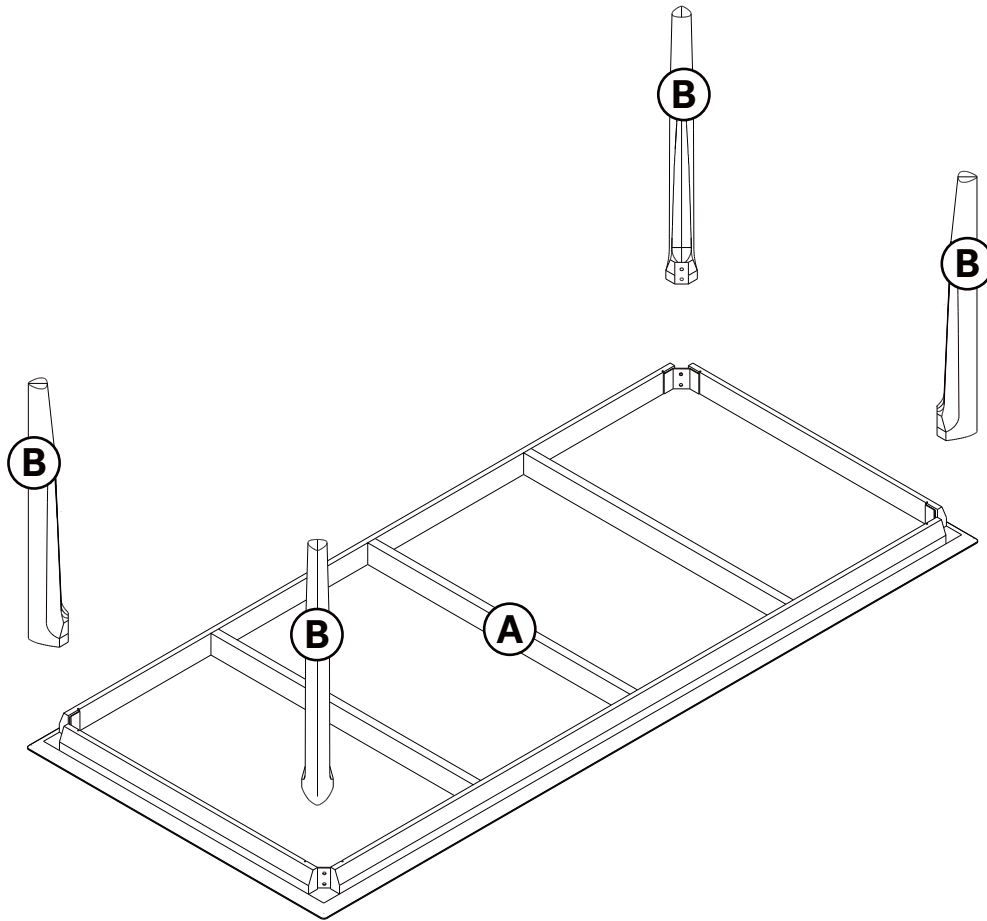
USE HAND



USE TORX ALLEN KEY TO TIGHTEN

OAK BOK DINING TABLE ASSEMBLY INSTRUCTIONS FOR DINING TABLE INSTALLATION

CONNECTING THE LEGS AND THE TABLE TOP



- ! - REPEAT STEP 1 TO STEP 3 FOR OTHER LEGS
- NOT TO TIGHT (TO BE RE-TIGHTRNEED AFTER 15 DAYS)