

Astha

2-SEATER SOFA



Our Astha 2-seater sofa is a classic lounge sofa with a modern twist. The sofa has a light mode of expression with soft cushions and a simple and elegant design. The size of the sofa gives you the opportunity to decorate in a stylish manner even when space is limited.

SOFACOMPANY

MATERIAL COMPONENTS

Frame: FSC wood 100%

Foam: High Resilience Fire Retardant Foam

Legs: Wood: FSC wood 100%

Surface meets requirements of.:

Reach, Painted: standard 16 CFR 1303 – PASS

SAFETY AND STABILITY

Our products are always developed and tested against EN 16139. 1 & 2.

EN-1021 1 & 2, BS5852 0 & 1, CA TB 117-2013.

PACKAGING MATERIAL & SHIPPING

The use of packaging materials are minimized without compromising protection of the product during transport. Chairs and sofas are protected in a cardboard box and when needed wrapped in a protective layer of recycled plastic. Shipping and transportation is in addition CO2 neutral.

PACKAGE MEASUREMENTS

55 x 178 x 91 cm, 47 kg

WARRANTY

Warranty against manufacturing defects (materials and craftsmanship) is standard as follows:

Frame: Lifetime

Foam: 5 years

Upholstery/Fabric: 5 years

Wear, tear and damages to the products are not covered under this warranty.

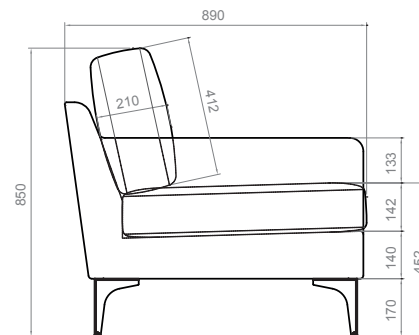
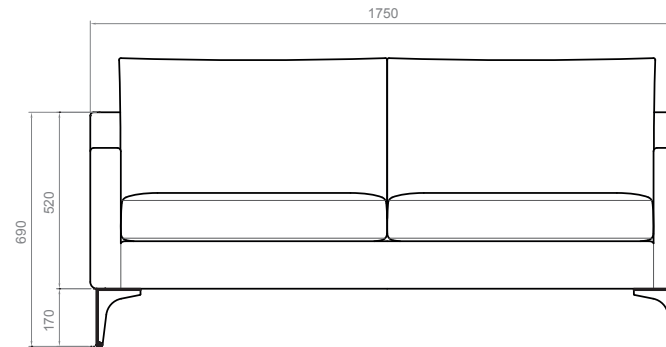
TEXTILE

See our textiles [here](#)

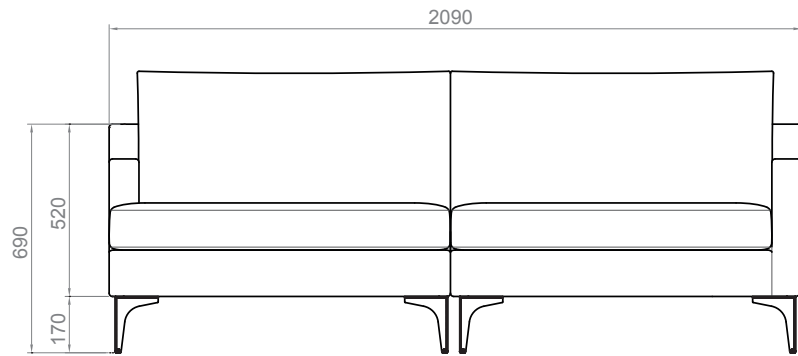
DESIGNER

Cathrine Rudolph

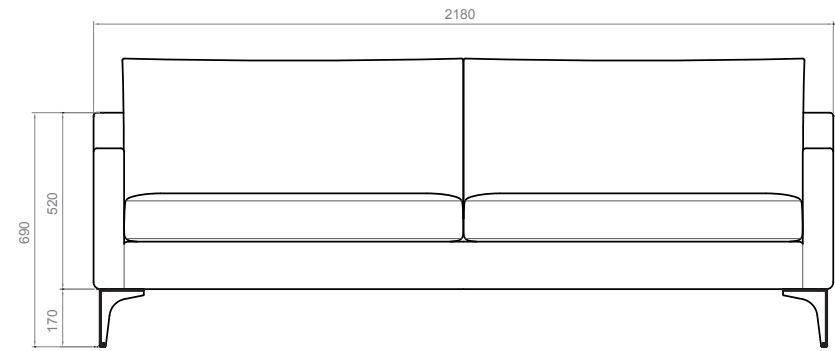
2-SEATER SOFA



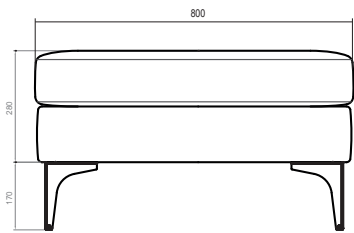
CHAISELONG SOFA



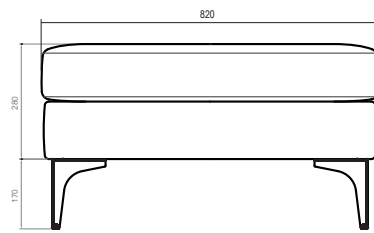
3-SEATER SOFA



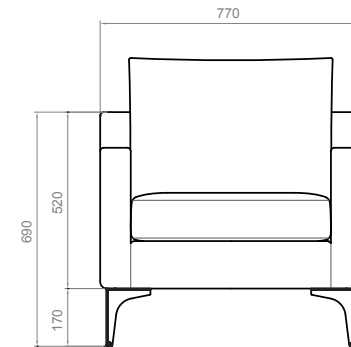
FOOTREST XL



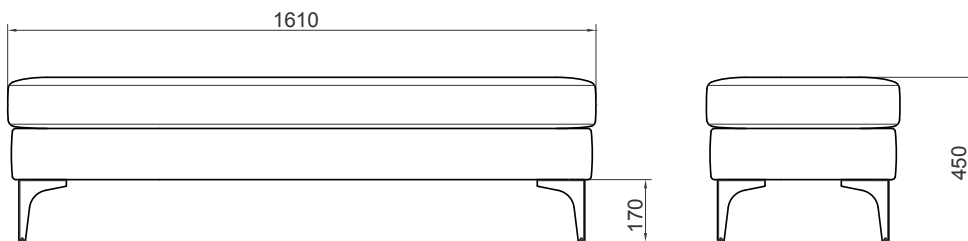
FOOTREST



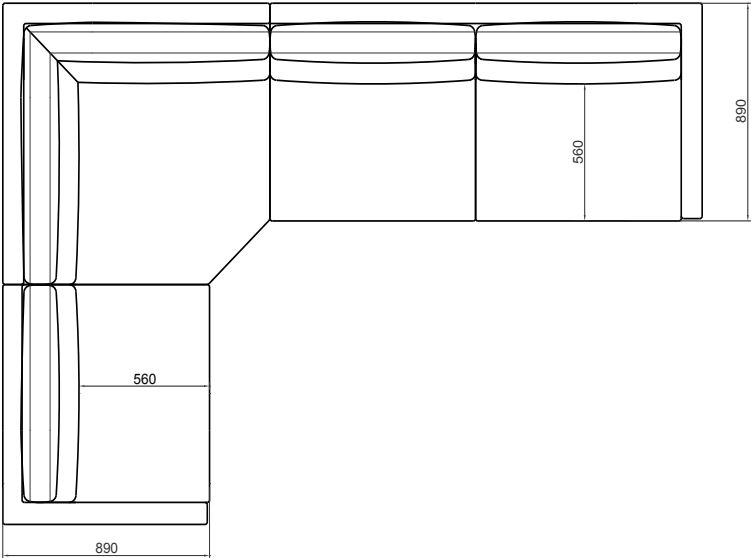
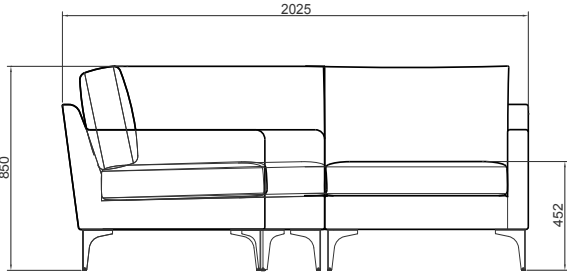
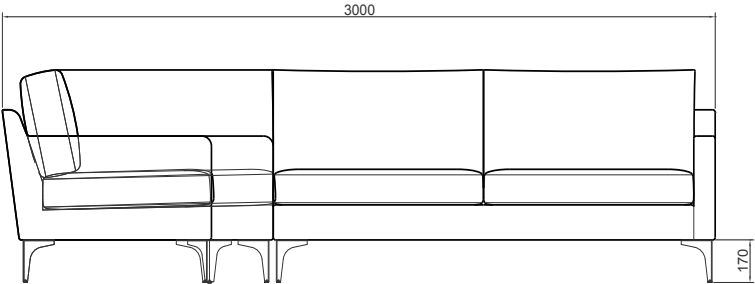
LOUNGE CHAIR



BENCH



CORNER SOFA, LEFT



CORNER SOFA, RIGHT

