

# Dylan

4-SEATER SOFA, LOOSE COVER



---

Can you change a sofa? As a matter of fact, you can with this 4-seater version of Dylan. The design is very elegant and simple and all, but the real surprise is to be found in the cover. It's loose which means you can remove it and add a new one, thus change the look of Dylan again and again. Or just remove it in order to clean it. Sofa-owner's choice.

**SOFACOMPANY**

## MATERIAL COMPONENTS

Frame: FSC wood 100%  
Foam: High Resilience Fire Retardant Foam  
Legs: Wood: FSC wood 100%  
Surface meets requirements of:  
Reach, Painted: standard 16 CFR 1303 – PASS

## SAFETY AND STABILITY

Our products are always developed and tested against EN 16139. 1 & 2.  
EN-1021 1 & 2, BS5852 0 & 1, CA TB 117-2013.

## PACKAGING MATERIAL & SHIPPING

The use of packaging materials are minimized without compromising protection of the product during transport. Chairs and sofas are protected in a cardboard box and when needed wrapped in a protective layer of recycled plastic. Shipping and transportation is in addition CO2 neutral.

## PACKAGE MEASUREMENTS

56 x 153 x 99 cm, 44 kg  
56 x 153 x 99 cm, 44 kg

## WARRANTY

Warranty against manufacturing defects (materials and craftsmanship) is standard as follows:

Frame: Lifetime  
Foam: 5 years  
Upholstery/Fabric: 5 years

Wear, tear and damages to the products are not covered under this warranty.

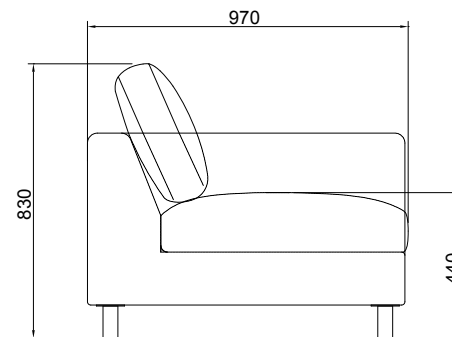
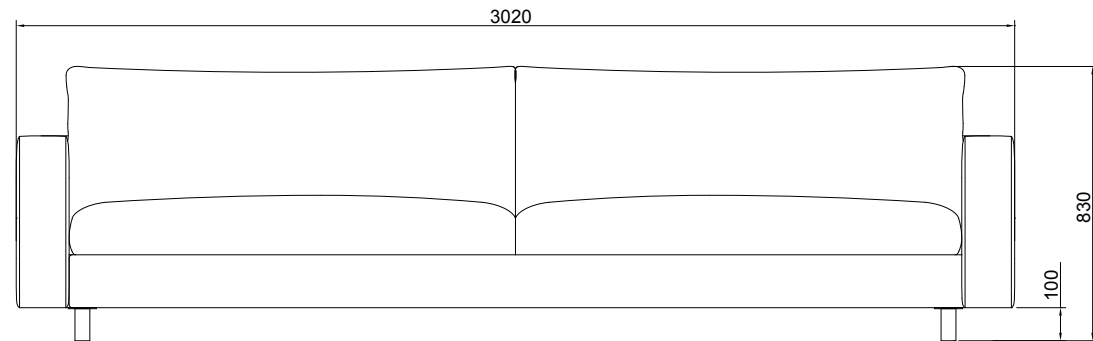
## TEXTILE

See our textiles [here](#)

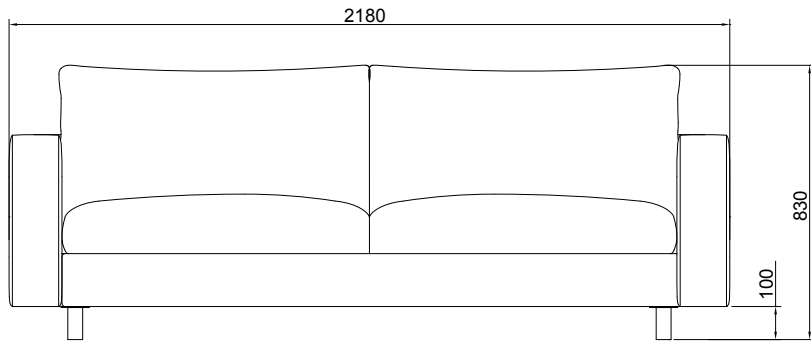
## DESIGNER

SAYS WHO

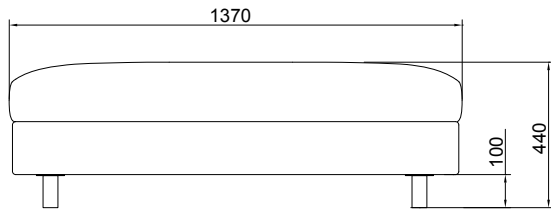
## 4-SEATER SOFA, LOOSE COVER



3-SEATER SOFA, LOOSE COVER



FOOTREST XL, LOOSE COVER



FOOTREST, LOOSE COVER

